


Crossover L Installation

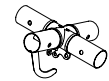
Version 3.1

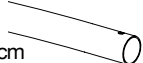


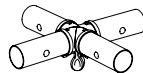
BOX CONTENTS


Crossover L


- 1x **CS-0233** Transportbox 


- 4x **CS-0050** X-connector 


- 28x **CS-0049** Main profile $\varnothing 90$ mm - 219 cm 


- 1x **CS-0334** Sub frame center 


- 4x **CS-0335** Sub frame beam $\varnothing 70$ mm - 108 cm 


- 4x **CS-0336** Sub frame connector 


- 4x **CS-0337** Locking strip 

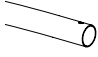
- 4x **CS-0051** T-Connector Upper Left Marked with "UL" 

- 4x **CS-0056** T-Connector Upper Right Marked with "UR" 

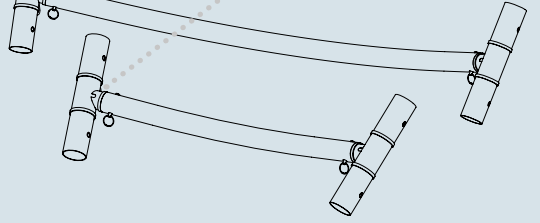
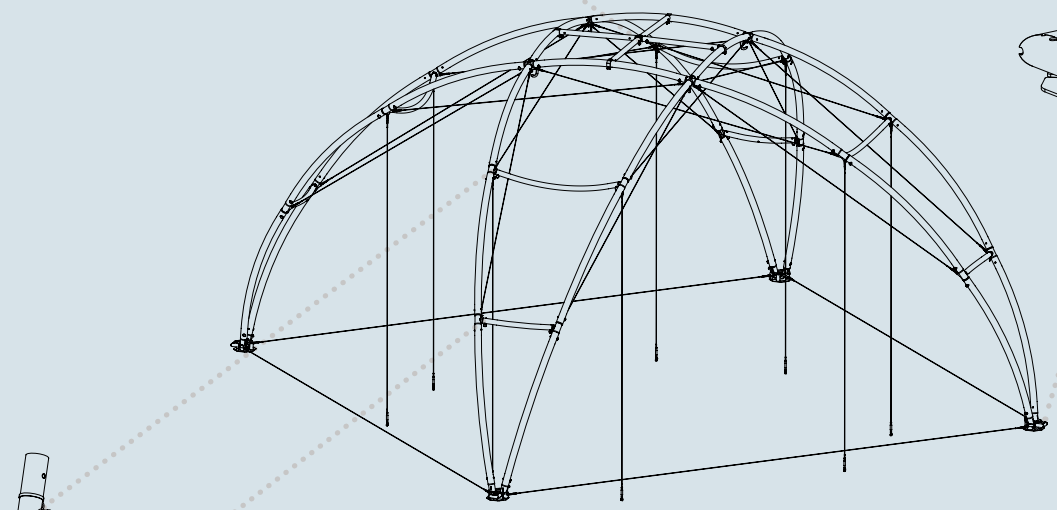
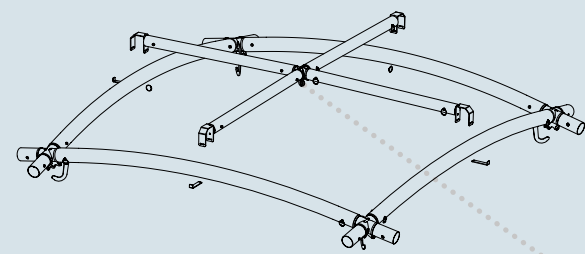
- 4x **CS-0054** Upper sub profile $\varnothing 70$ mm - 179 cm 

- 4x **CS-0052** T-Connector Lower Left Marked with "LL" 

- 4x **CS-0057** T-Connector Lower Right Marked with "LR" 


- 4x **CS-0055** Lower sub profile $\varnothing 70$ mm - 101 cm 

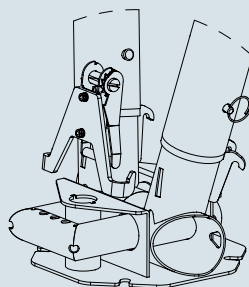
L





- 70x **CS-0093** Locking pin (medium) $\varnothing 90$ mm profile 


- 30x **CS-0105** Locking pin (small) $\varnothing 70$ mm profile 

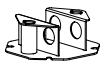
- 110x **CS-0248** Securing ring 





- 4x **CS-0058** Foot connector Left 


- 4x **CS-0108** Foot connector Right 

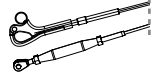
- 4x **CS-0099** Anchor slide 


- 4x **CS-0148** Anchor support 


- 4x **CS-0236** Ratchet plate 


- 8x **CS-9009** Turn buckle 


- 16x **CS-0086** Main cable 


- 8x **CS-0234** Tensioning cable 

- 4x **CS-0235** Positioning cable 

- 4x **CS-0497** Pull bar 

- 1x **CS-9012** Big Bag 

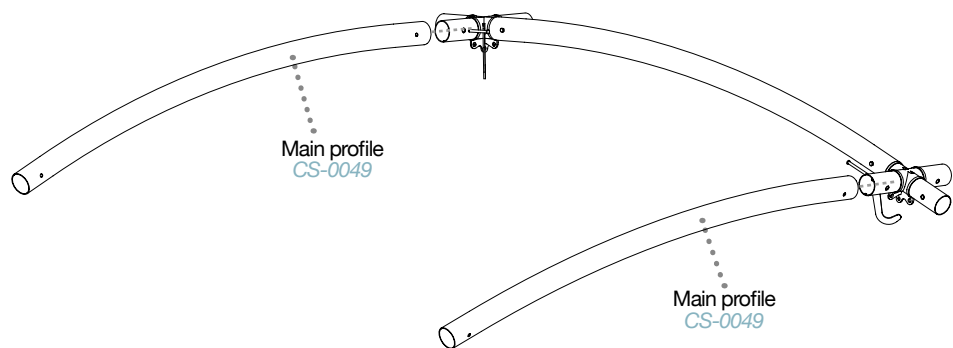
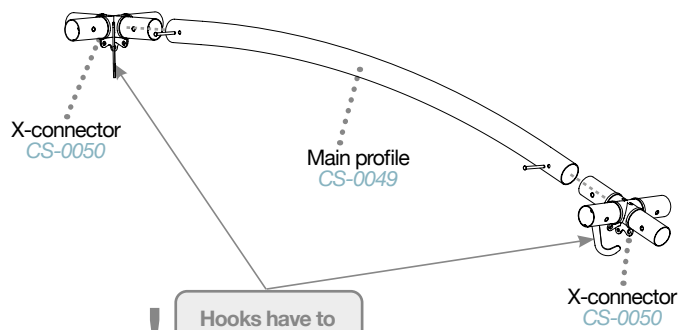
- 1x **CS-9013** Rope 20 m. 

- 1x **CS-9037** Strap 4 m. 

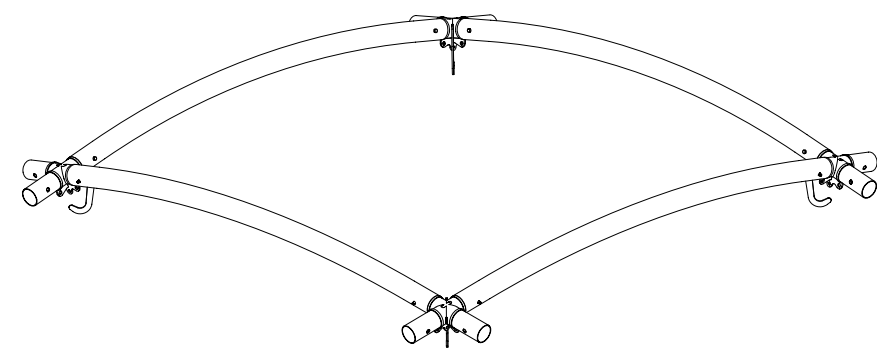
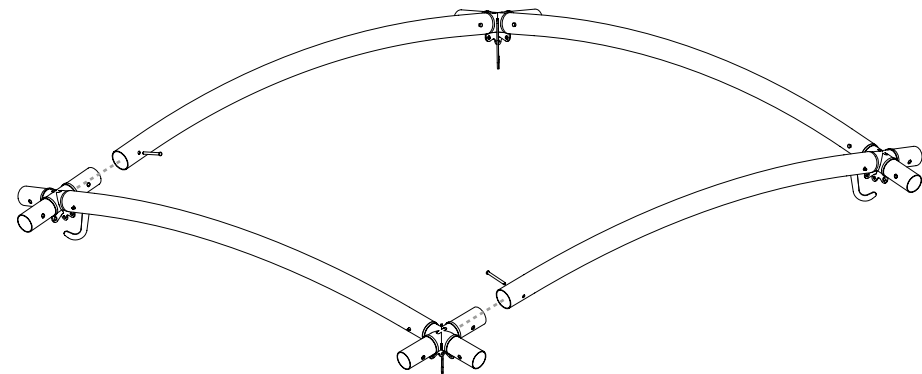
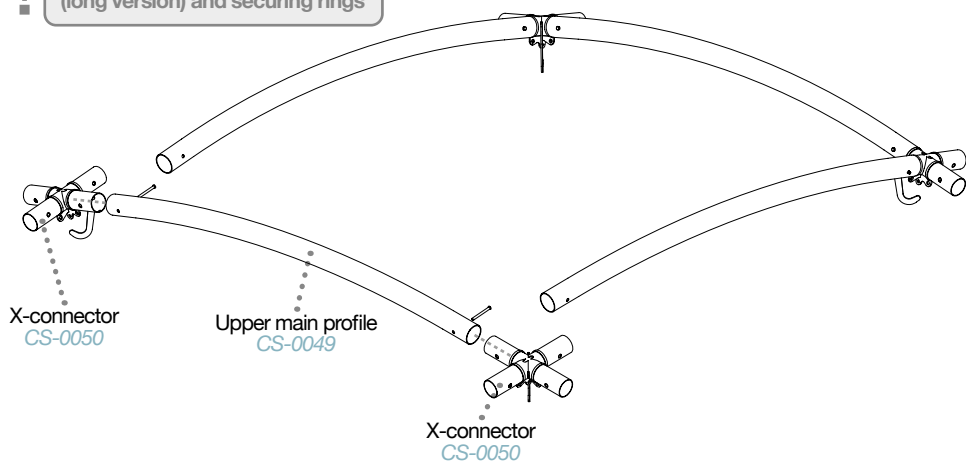
STEP 1

Assemble frame body

! Secure all parts with locking pins (long version) and securing rings

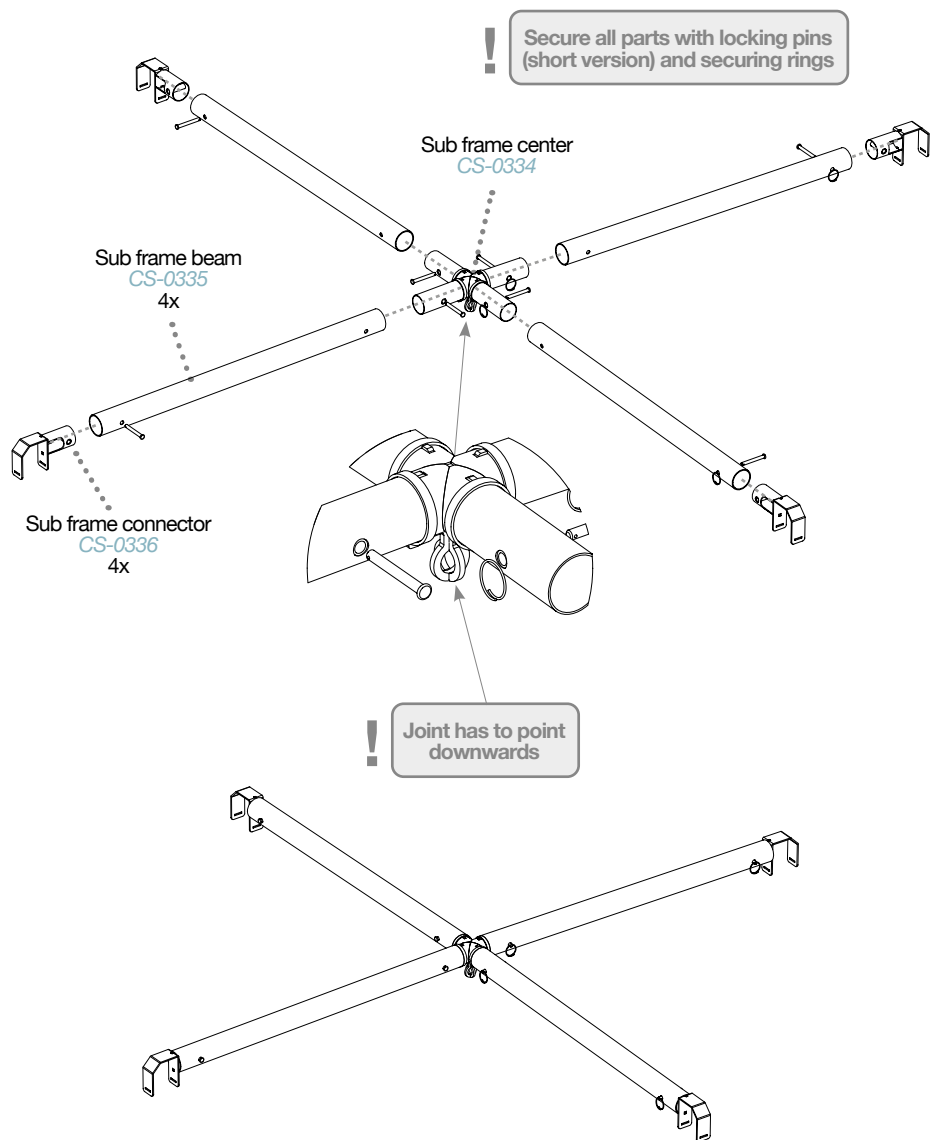


! Secure all parts with locking pins (long version) and securing rings



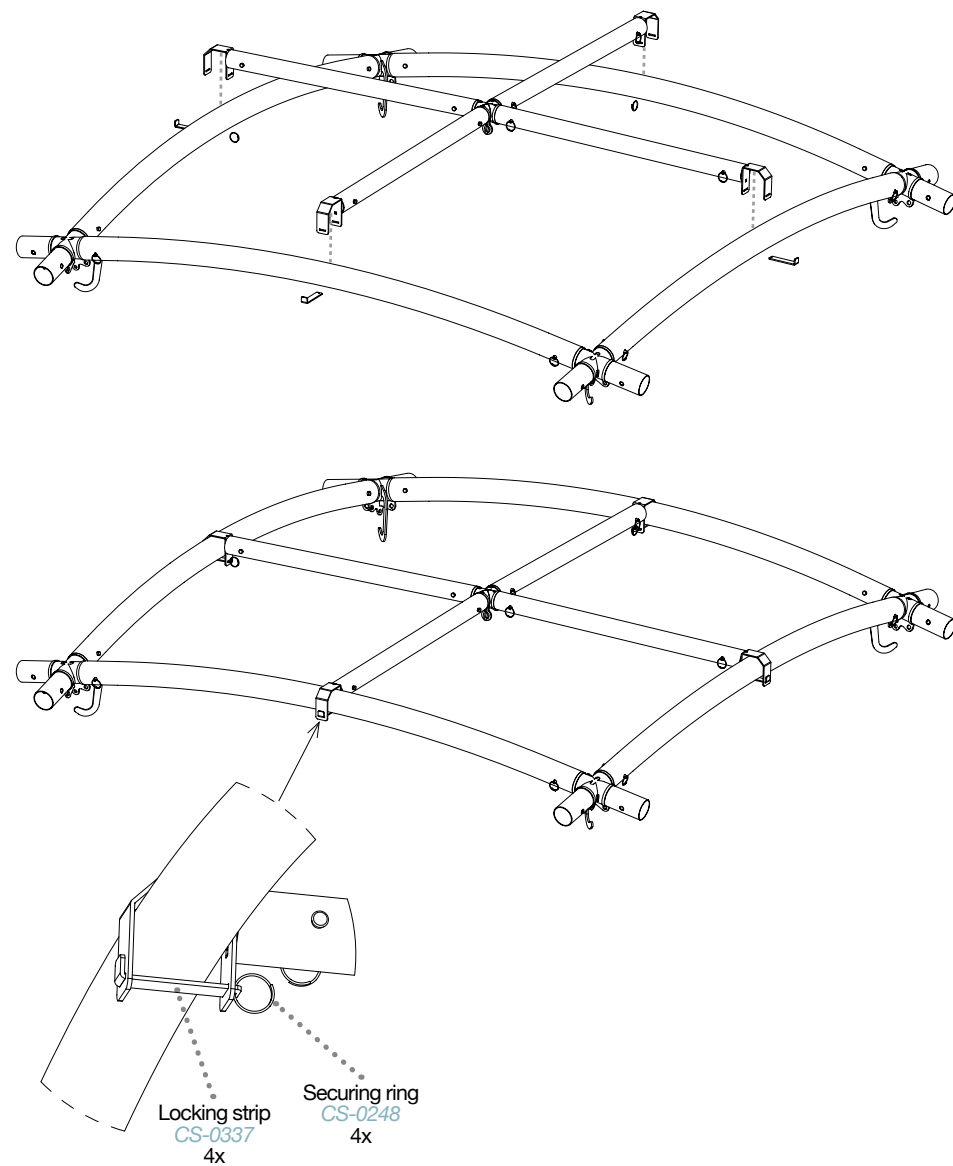
STEP 2

Pre-assemble the sub frame



STEP 3

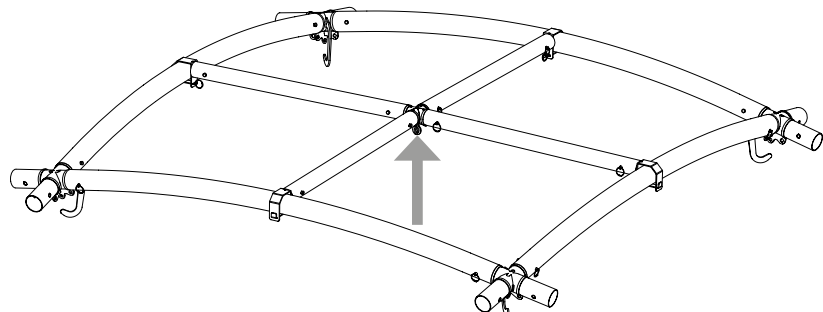
Mount sub frame at frame body



LIFTING

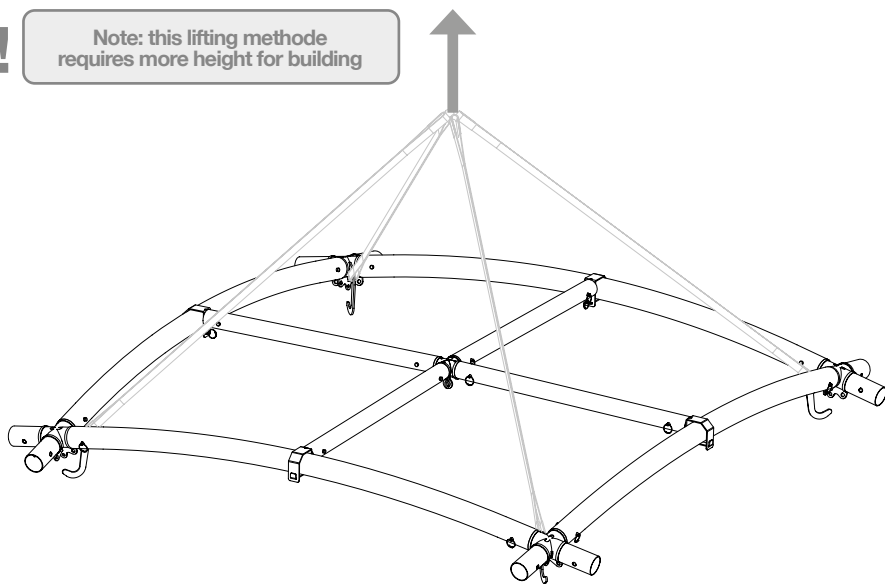
While building, the structure has to be lifted multiple times so that the assembly can easily be done on floor level. The structure is designed for two lifting methods:

1. Lifting from below (for example with a traverse lift) by using the subframe. Requirements lifting device:
 - minimum lifting height: 6 meter
 - minimum safe working load: 300 kg



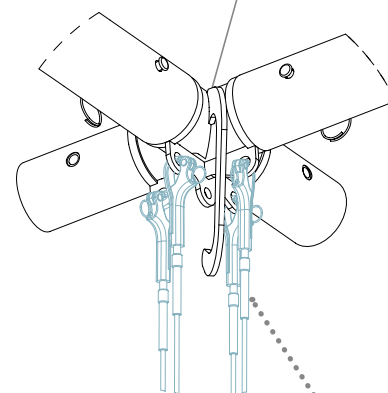
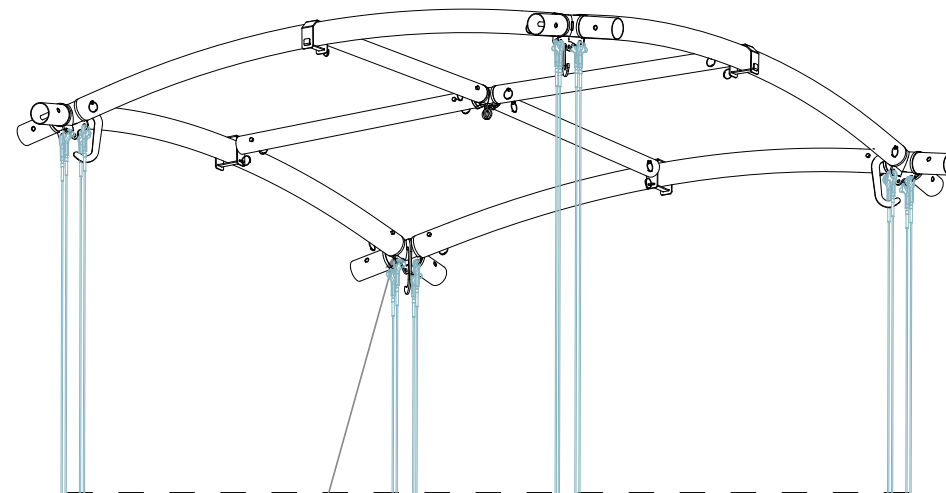
2. Lifting from above (for example with a crane) by using lifting slings (2 meter, 1000 KG) and the hooks of the X-connectors

! Note: this lifting methode requires more height for building



STEP 4

Mount the first end of the 8 tension cables



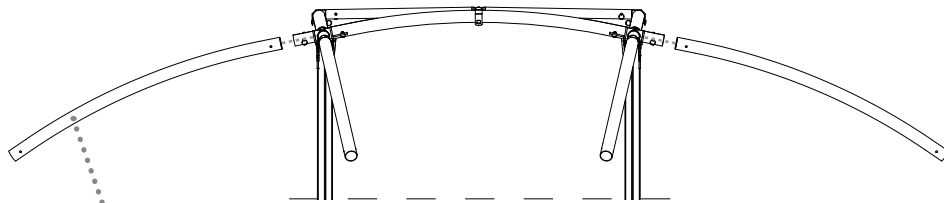
Main cable
4x per X-connector
CS-0086

STEP 5

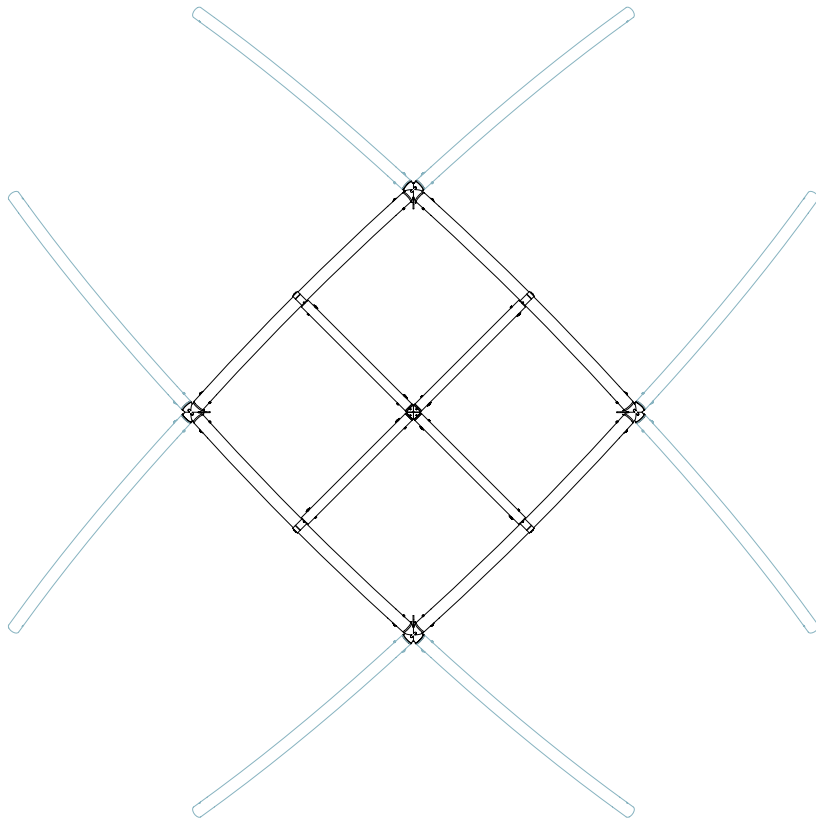
Mount the first level of main profiles



Secure all parts with locking pins (long version) and securing rings



Main profile
CS-0049
8x

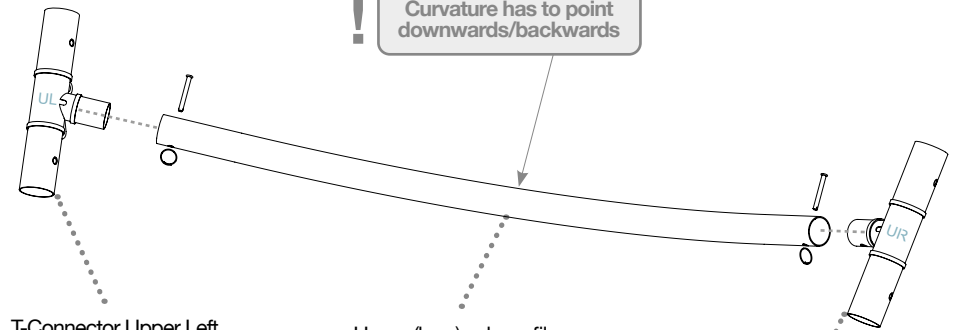


STEP 6

Pre-assemble the upper sub profiles (4x)



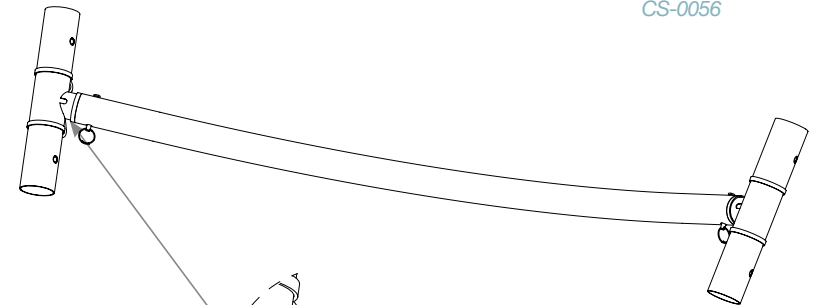
Curvature has to point downwards/backwards



T-Connector Upper Left
Marked with "UL"
CS-0051

Upper (long) sub profile
CS-0054

T-Connector Upper Right
Marked with "UR"
CS-0056



Securing ring
CS-0248
2x

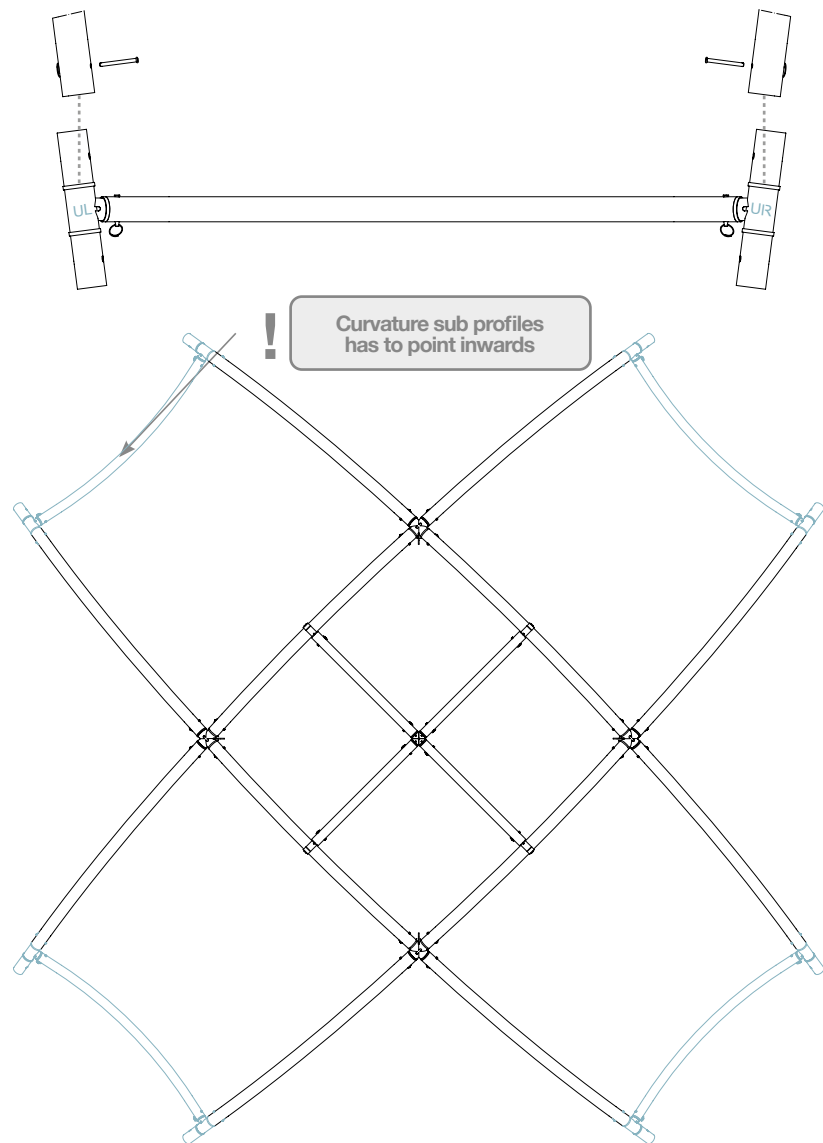
Locking pin
Short version
CS-0105
2x

STEP 7

Mount the upper sub profiles (4x)

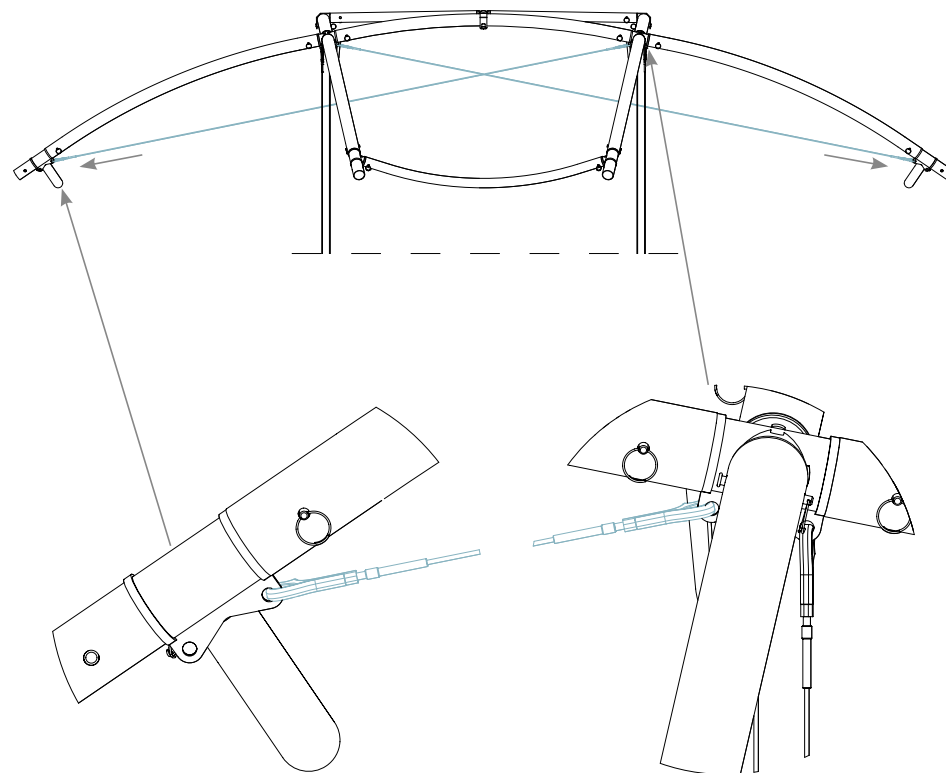


Secure all parts with locking pins (long version) and securing rings



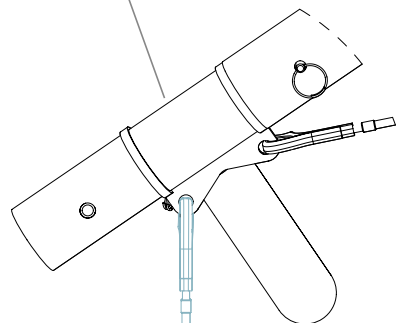
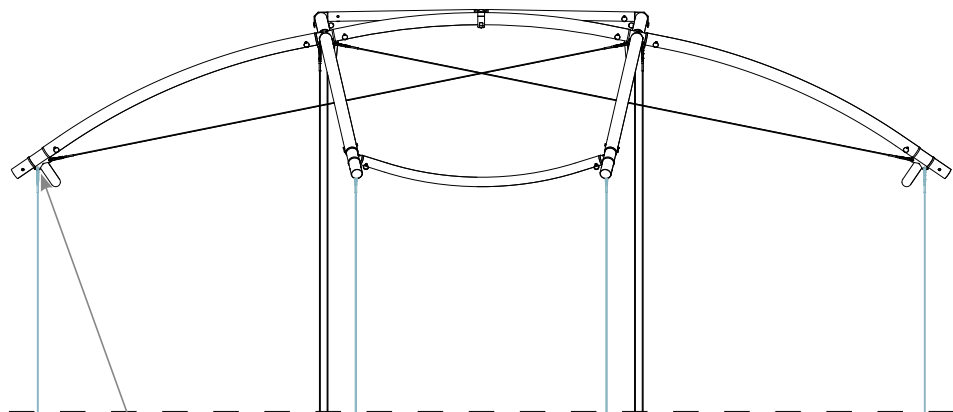
STEP 8

Mount the second end of the 8 inner main cables



STEP 9

Mount the first end of the tensioning cables



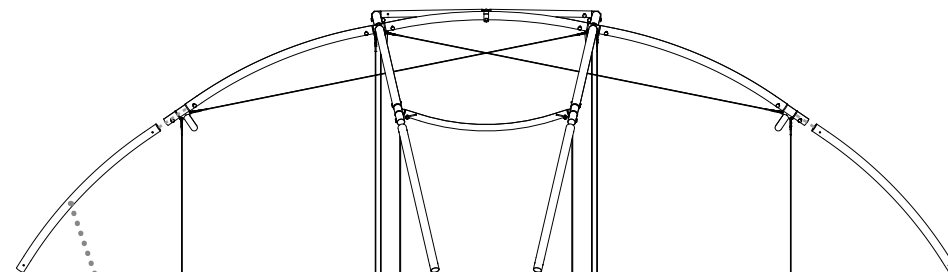
Tensioning cable
CS-0234
8x

STEP 10

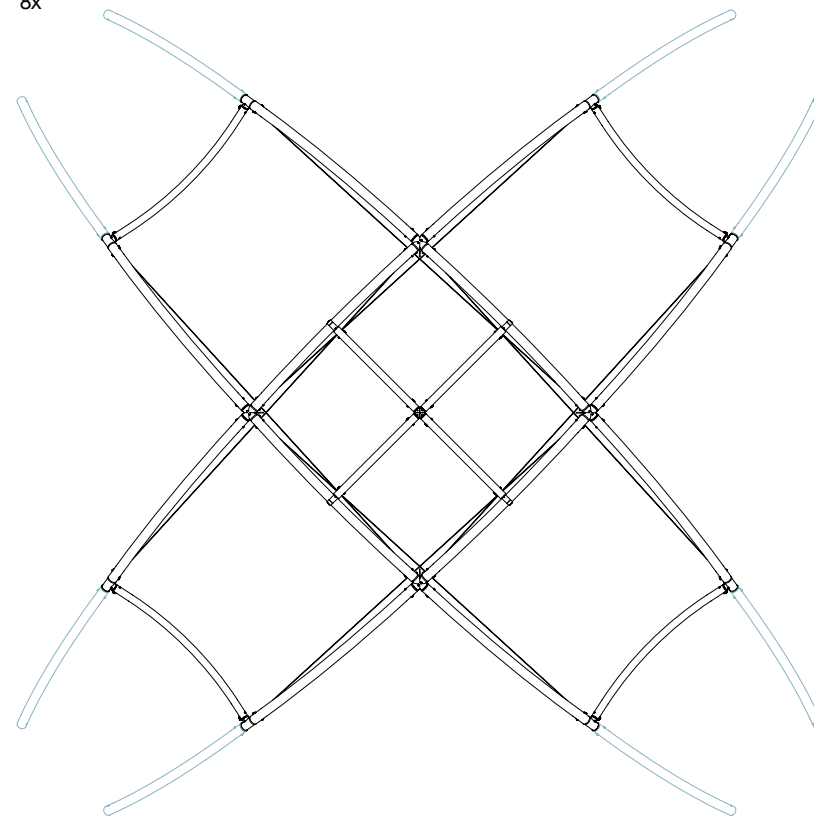
Mount the second level of main profiles



Secure all parts with locking pins
(long version) and securing rings

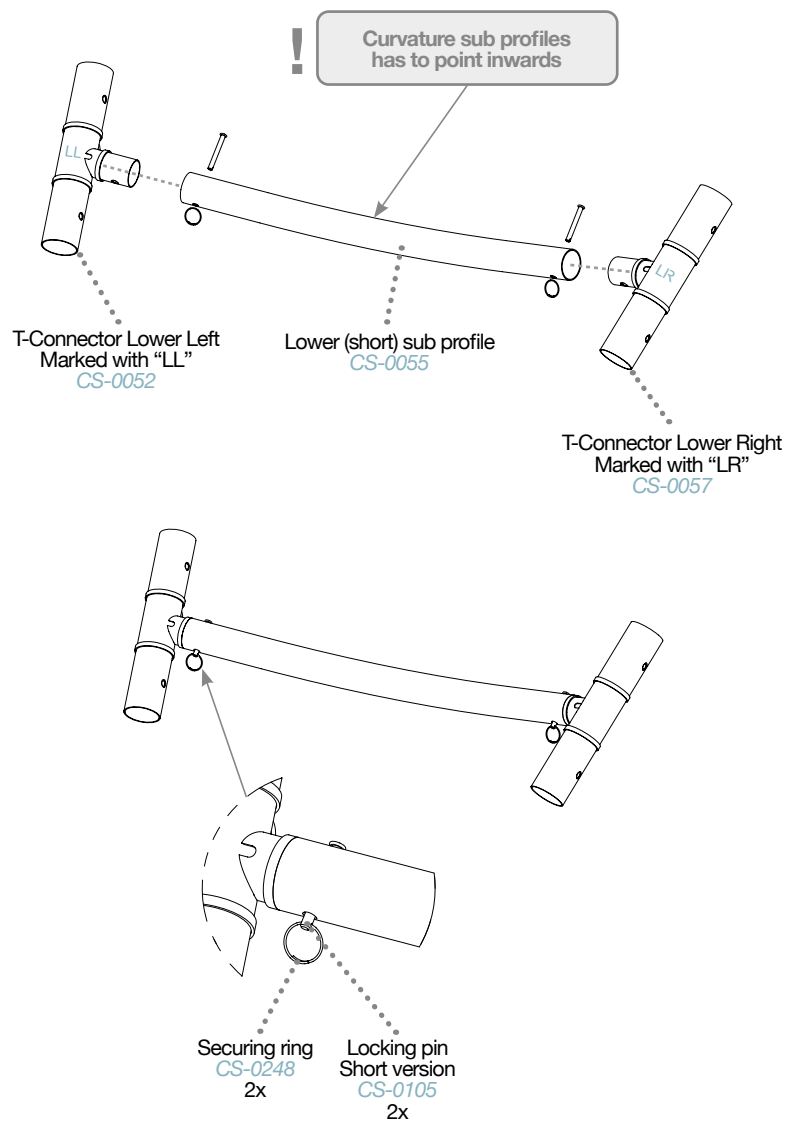


Main profile
CS-0049
8x



STEP 11

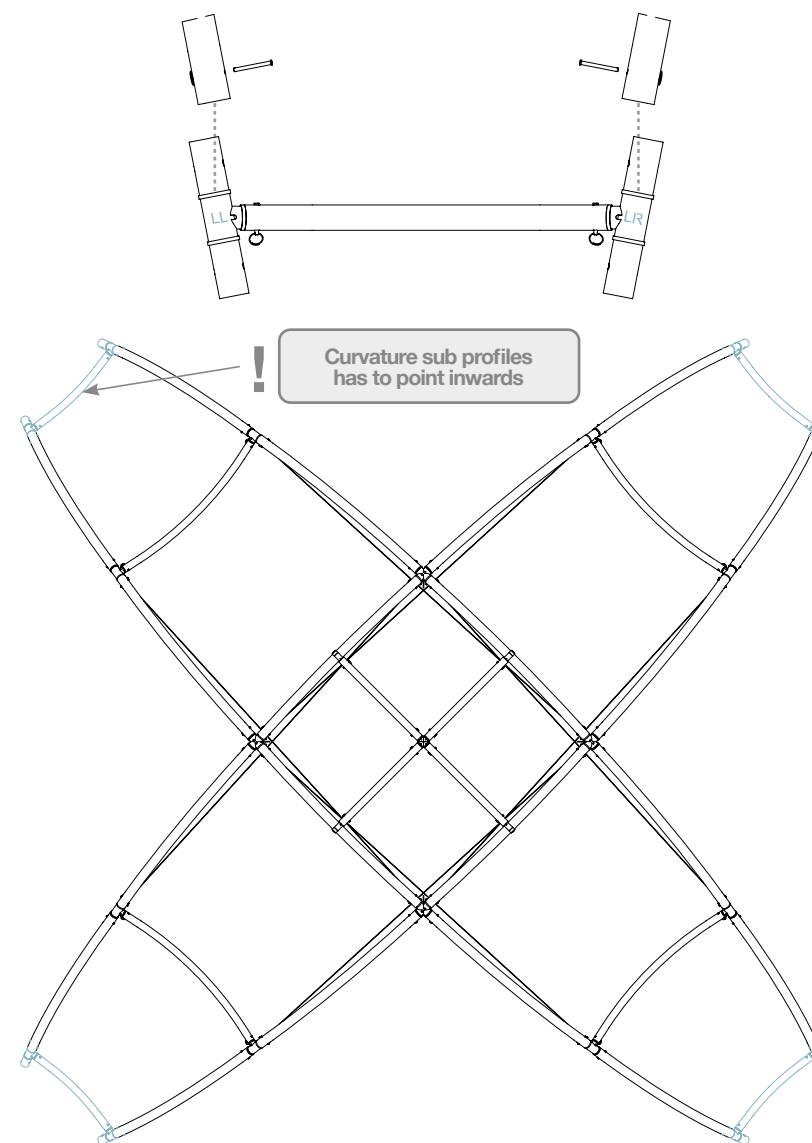
Pre-assemble the lower sub profiles (4x)



STEP 12

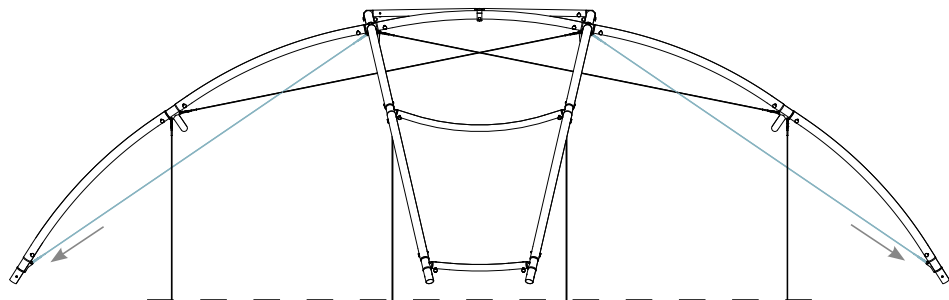
Mount the lower sub profiles (4x)

! Secure all parts with locking pins (long version) and securing rings



STEP 13

Mount the second end of the 8 remaining main cables

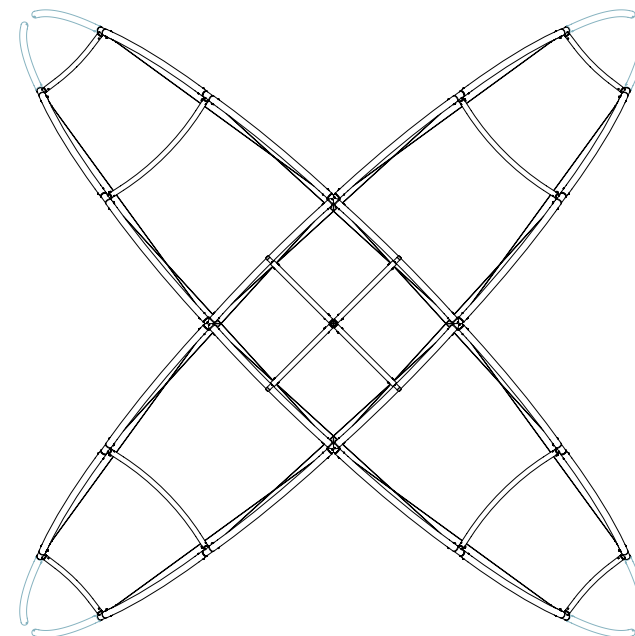
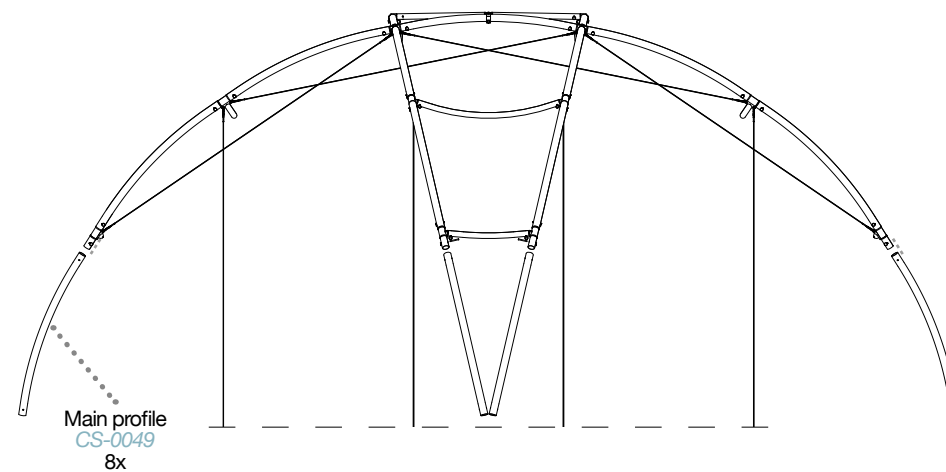


STEP 14

Mount the last level of main profiles



Secure all parts with locking pins (long version) and securing rings

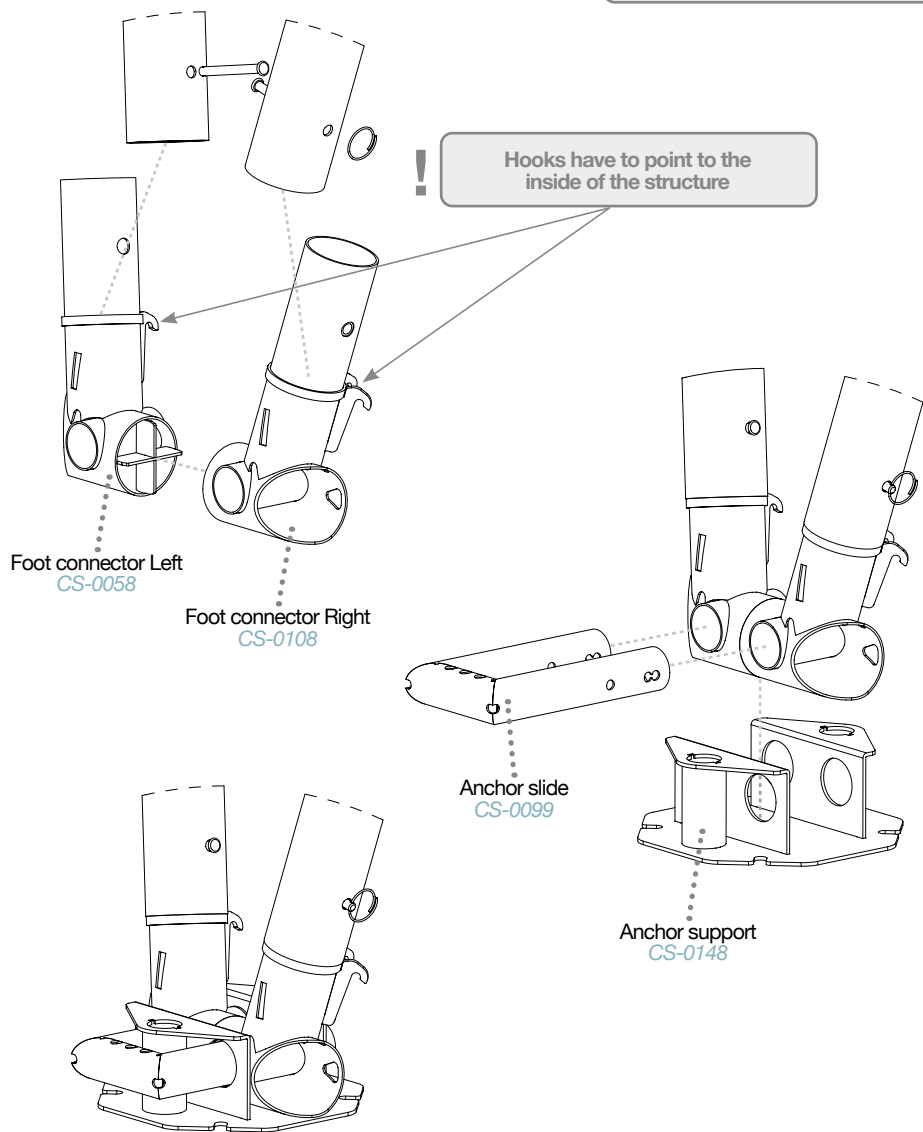


STEP 15

Mount the feet (4x)

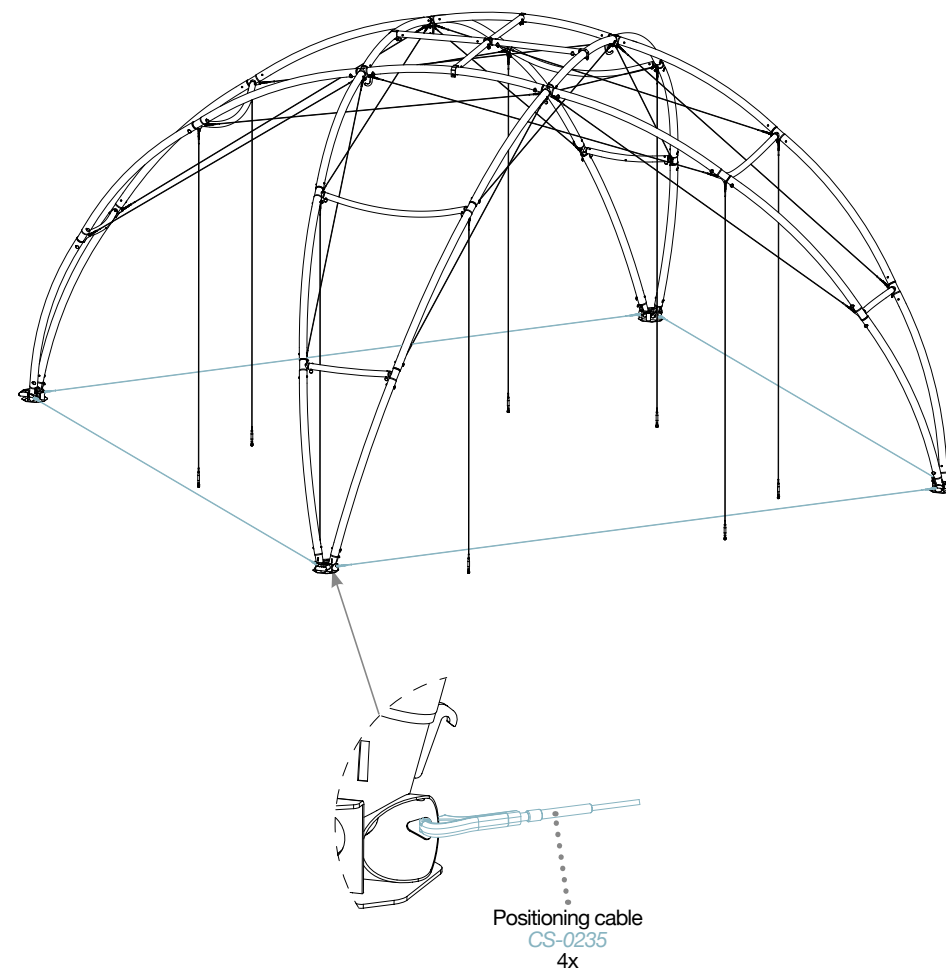
! Secure all parts with locking pins (long version) and securing rings

! Hooks have to point to the inside of the structure



STEP 16

Mount the positioning cables

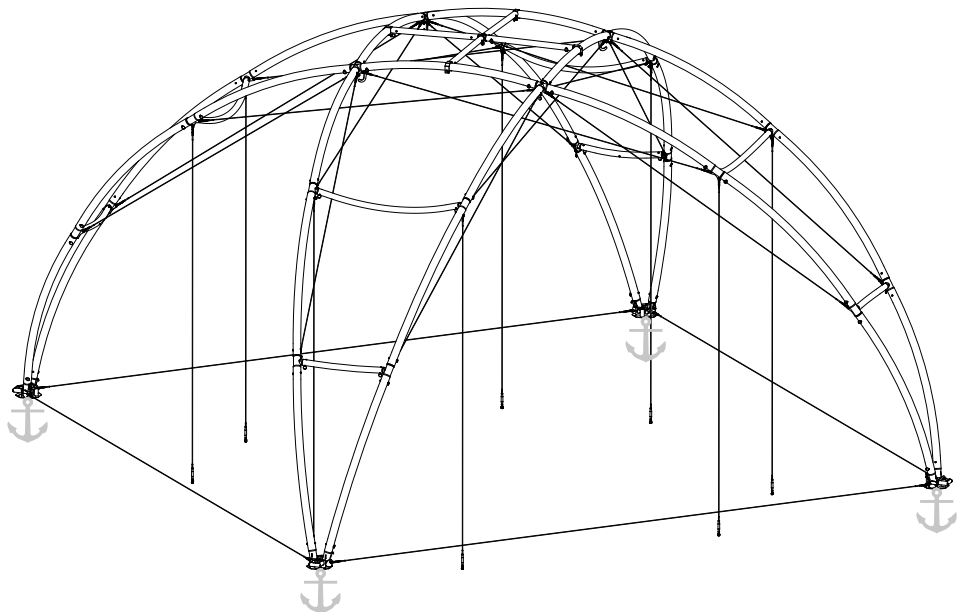


! The positioning cables are used to secure an accurate distance between the feet. After mounting the positioning cables the structure can be placed on its feet. Pull the legs of the structure outwards to put the positioning cables under tension.

STEP 17

Anchor the structure

! For the different anchoring options and instructions see the anchoring guide

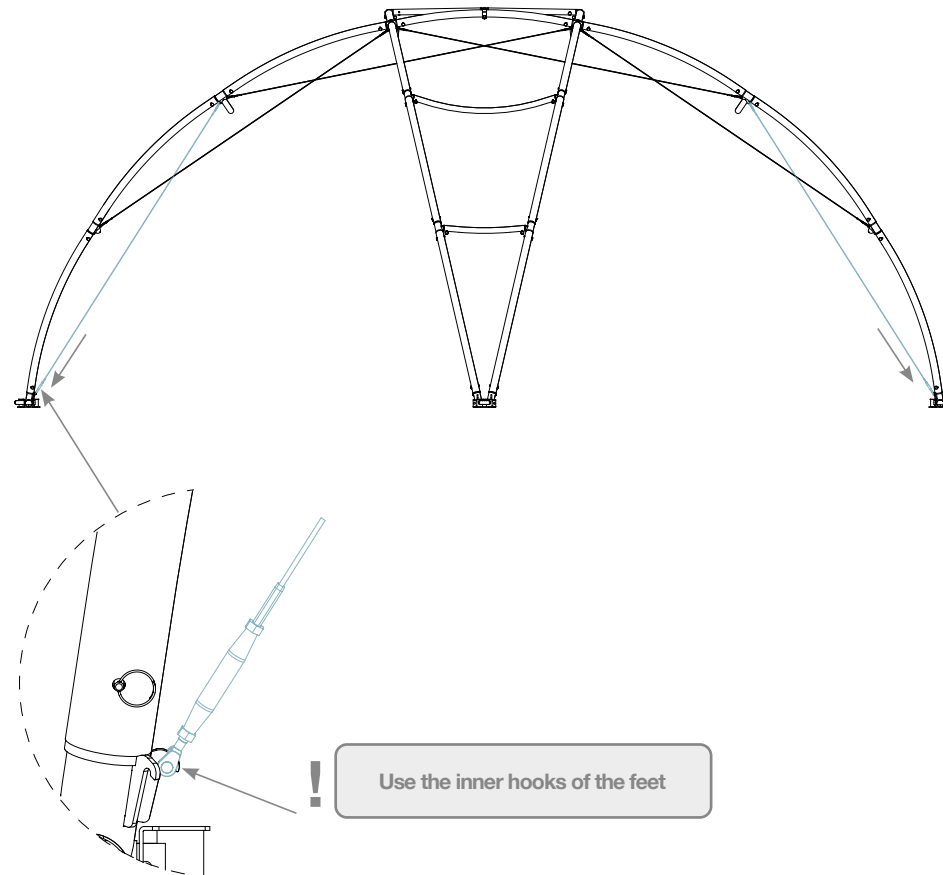


! After anchoring, the positioning cables can be removed.

STEP 18

Mount and tension the 8 tension cables

By tensioning the tension cables all the cables in the structure get tensioned and the structure gets its rigidity



! Use the inner hooks of the feet

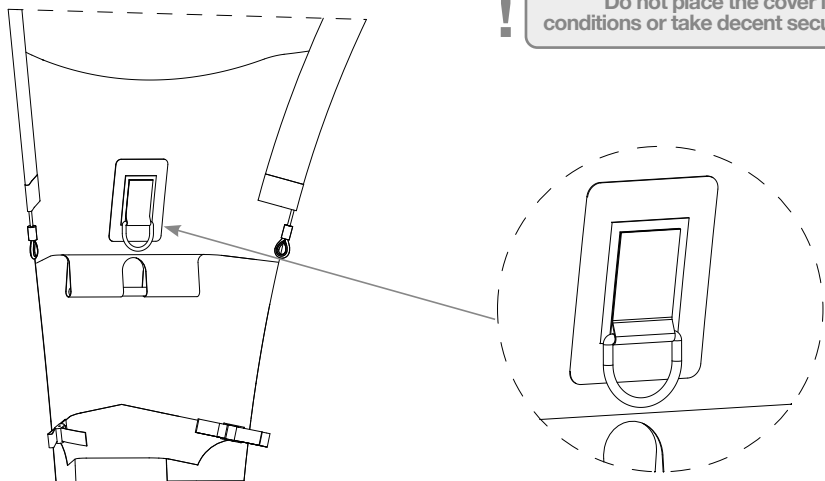
STEP 19

Place the cover over the structure

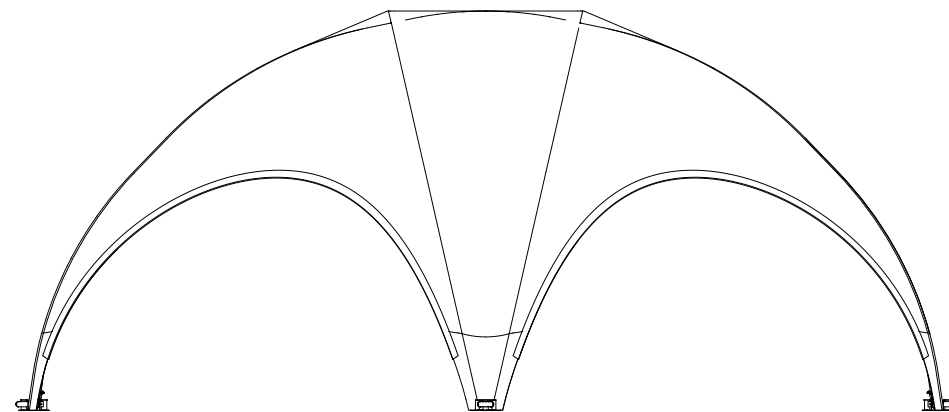
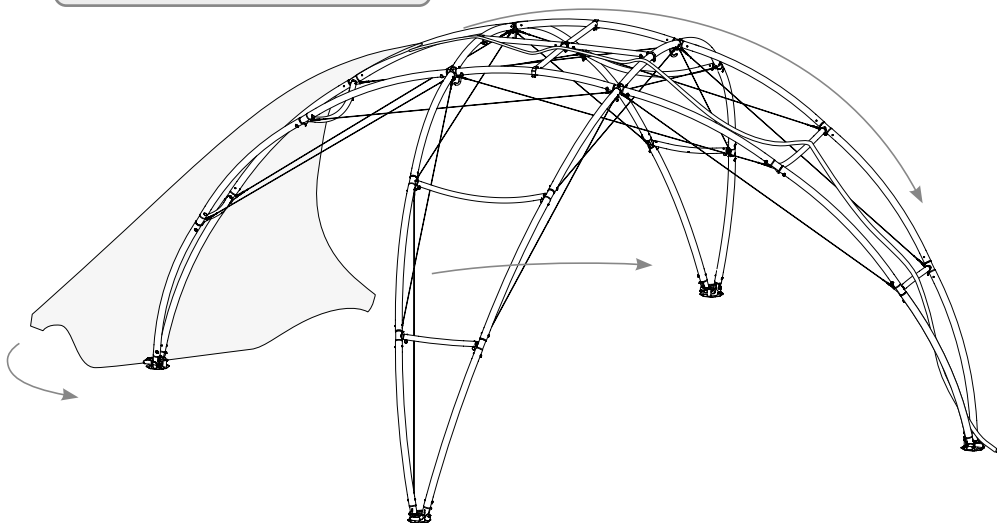
The included rope can be used to pull the cover over the structure.
Tie the rope to the lifting eye.



Do not place the cover in windy conditions or take decent security measures

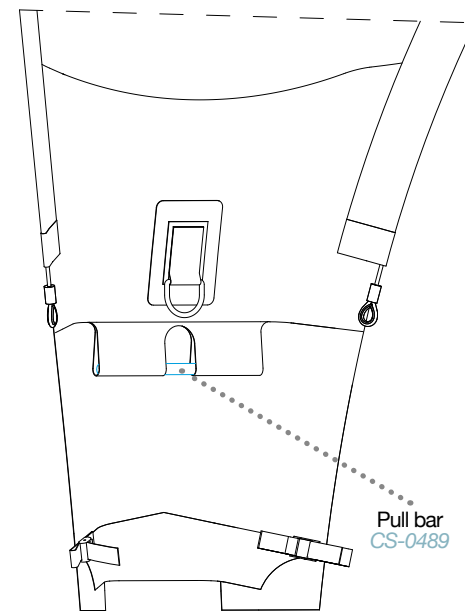


Guide the cover on both sides



STEP 20

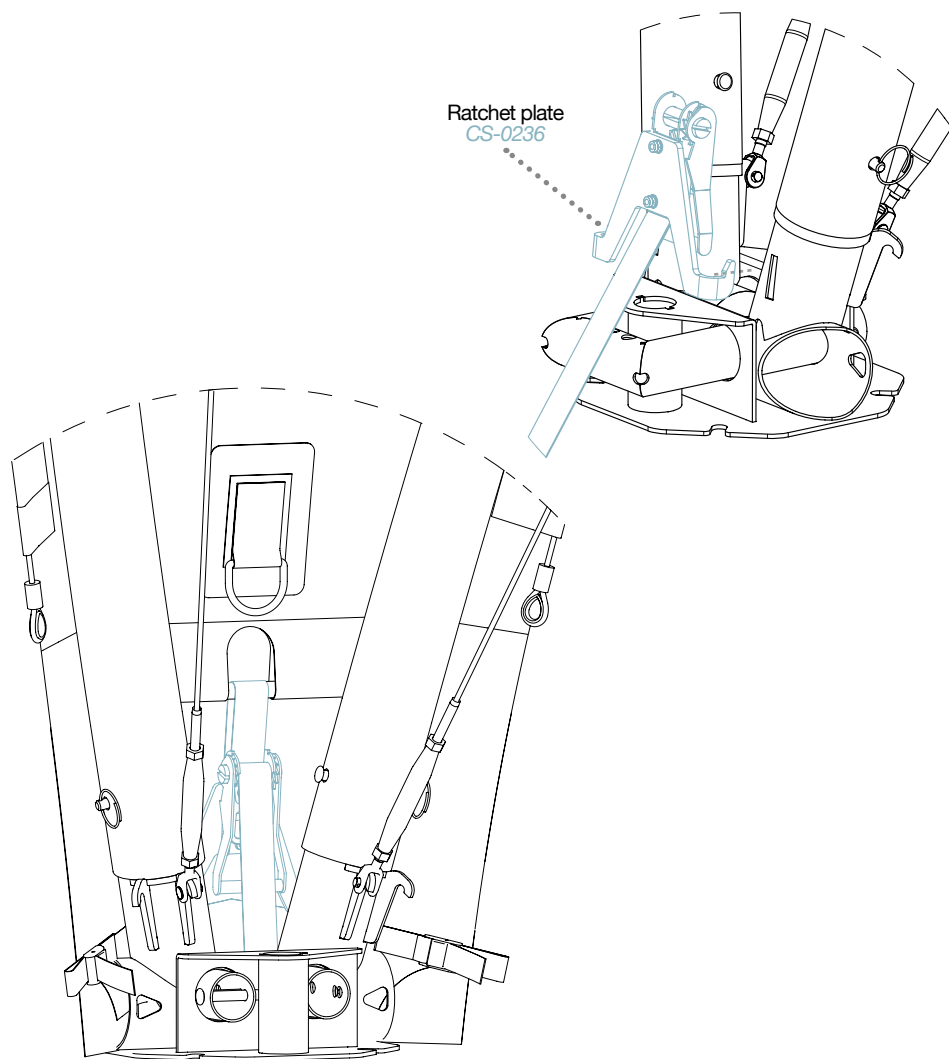
Place the pull bars in the loops of the cover corners



STEP 21

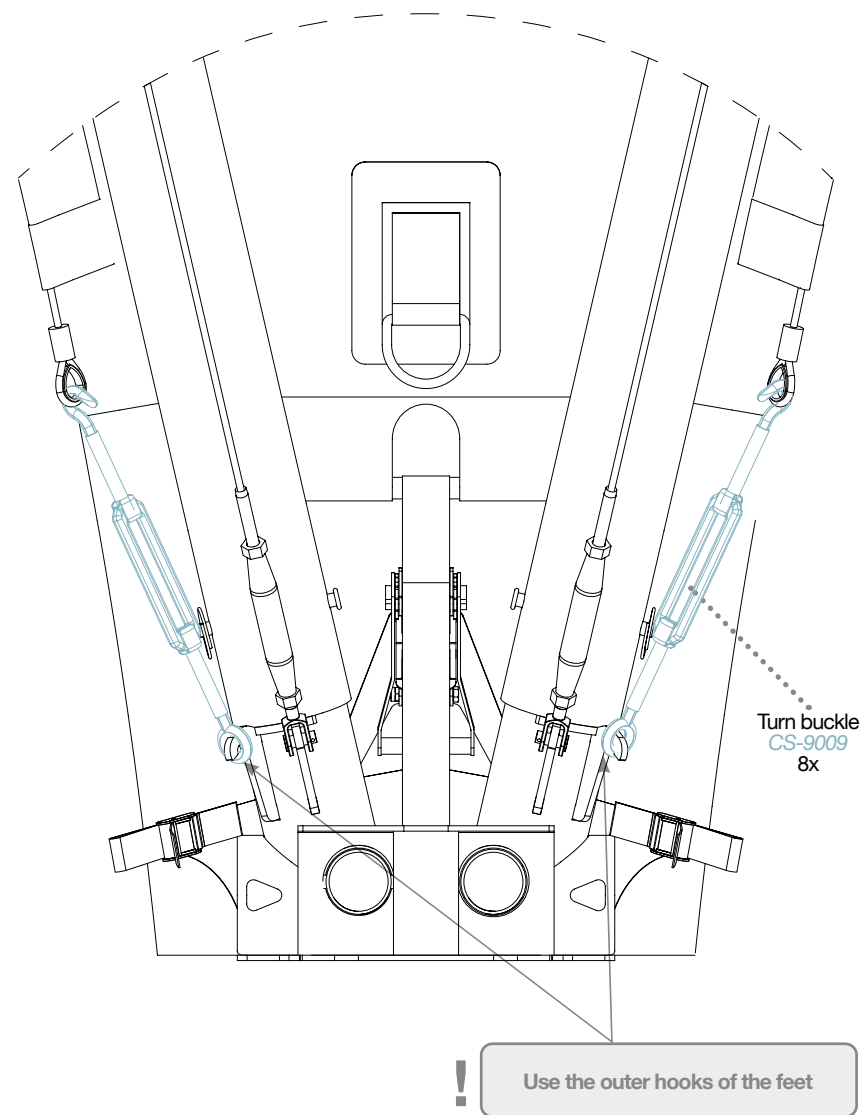
Tension the cover at the corners

Use the the seams of the cover to align the cover with the structure



STEP 22

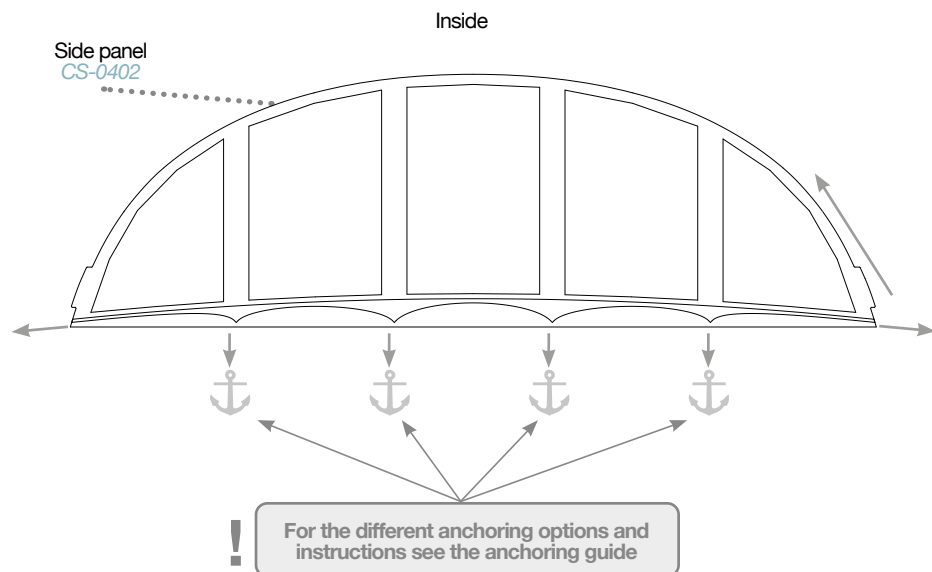
Tension the contours of the cover with the turn buckles



STEP 23

Mount the side panels (if desired)

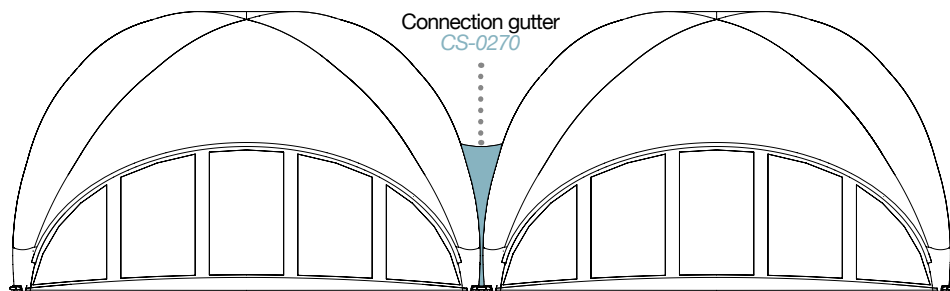
1. Hang the side panel under the cover openings using the 5 hooks on the upper contour
2. Close the zipper from right to left, seen from the inside of the structure. The 5 hooks now can be demounted
3. Tension the side panel with the lashings at the bottom. Tension the outer lashings to the structure feet and the inner lashings to the ground



STEP 24

Mount the connection gutter (if desired)

Close the zippers from right to left, seen from the inside of the structure



NOTES



Installation movie
Crossover L

