





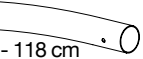
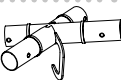




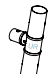
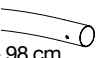
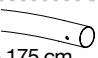
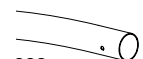
Hexadome M Installation

Version 3.1

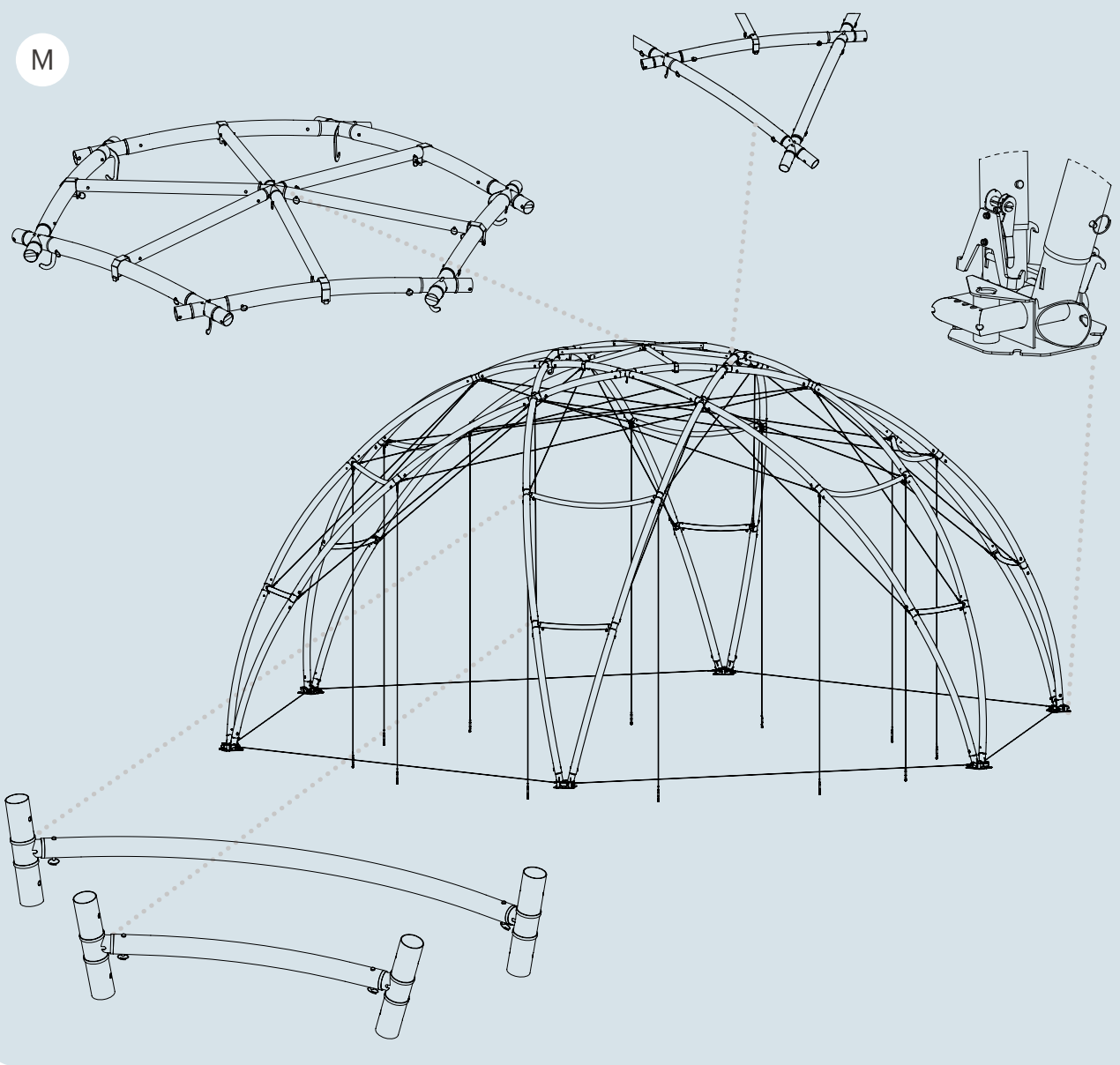



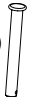


BOX CONTENTS

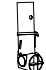


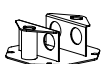



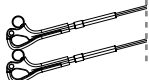
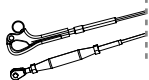




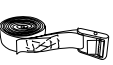
Hexadome Medium

- ❑ 1x CS-0447 Sub frame center 
- ❑ 6x CS-0465 Sub frame beam ø70 mm - 113 cm 
- ❑ 6x CS-0336 Sub frame connector 
- ❑ 6x CS-0337 Locking strip 
- ❑ 18x CS-0460 Upper main profile ø90 mm - 118 cm 
- ❑ 6x CS-0466 Upper X-connector 
- ❑ 6x CS-0467 Lower X-connector 
- ❑ 6x CS-0469 T-Connector Lower Left Marked with "LL" 
- ❑ 6x CS-0472 T-Connector Lower Right Marked with "LR" 
- ❑ 6x CS-0468 T-Connector Upper Left Marked with "UL" 
- ❑ 6x CS-0471 T-Connector Upper Right Marked with "UR" 
- ❑ 6x CS-0464 Lower (short) sub profile ø70 mm - 98 cm 
- ❑ 6x CS-0463 Upper (long) sub profile ø70 mm - 175 cm 
- ❑ 36x CS-0462 Lower Main profile ø90 mm - 208 cm 

M

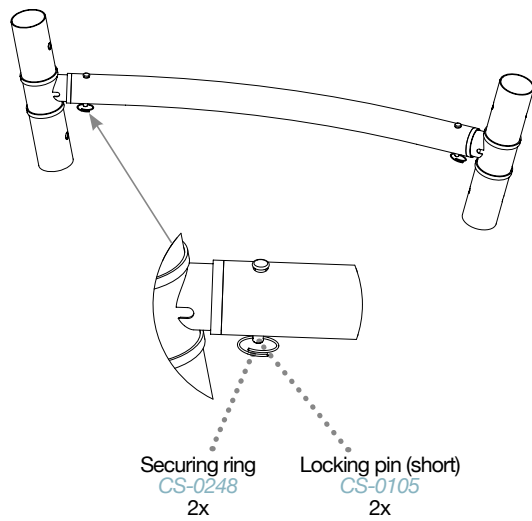
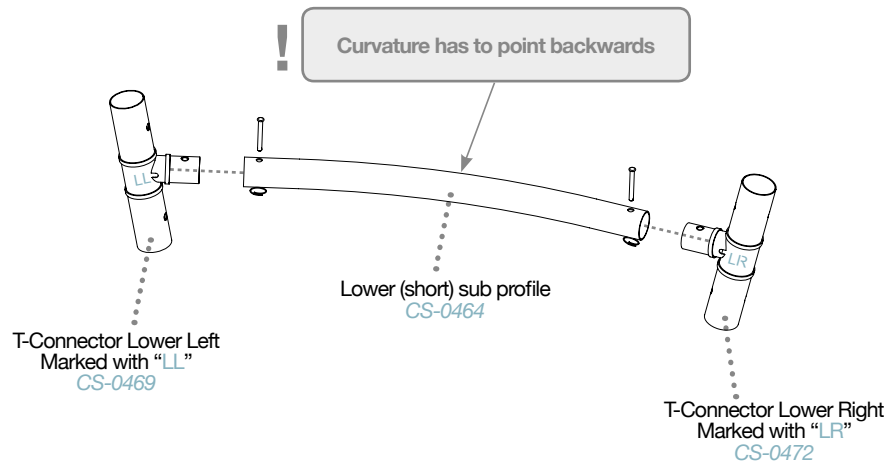


- ❑ 40x CS-0105 Locking pin (small) ø70 mm profile 
- ❑ 140x CS-0093 Locking pin (medium) ø90 mm profile 
- ❑ 190x CS-0248 Securing ring 
- ❑ 2x CS-0233 Transportbox 

- ❑ 6x CS-0058 Foot connector Left 
- ❑ 6x CS-0108 Foot connector Right 
- ❑ 6x CS-0099 Anchor slide 
- ❑ 6x CS-0148 Anchor support 
- ❑ 6x CS-0236 Ratchet plate 
- ❑ 12x CS-9009 Turn buckle 
- ❑ 12x CS-0473 Upper cable 
- ❑ 12x CS-0474 Center cable 
- ❑ 12x CS-0475 Tension cable 
- ❑ 6x CS-0246 Positioning cable 
- ❑ 6x CS-0497 Pull bar 
- ❑ 1x CS-9012 Big Bag 
- ❑ 2x CS-9013 Rope 25 m. 
- ❑ 2x CS-9037 Strap 4 m. 

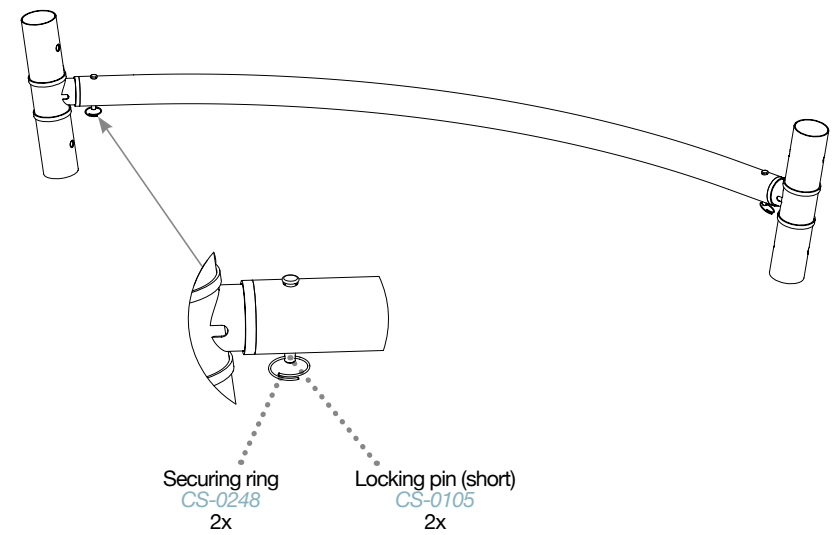
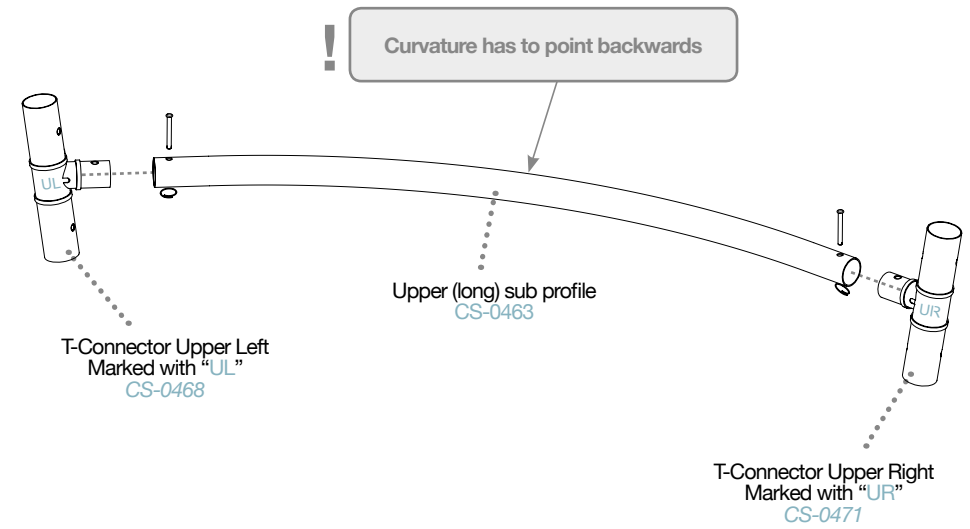
STEP 1

Pre-assemble the lower sub profiles (6x)



STEP 2

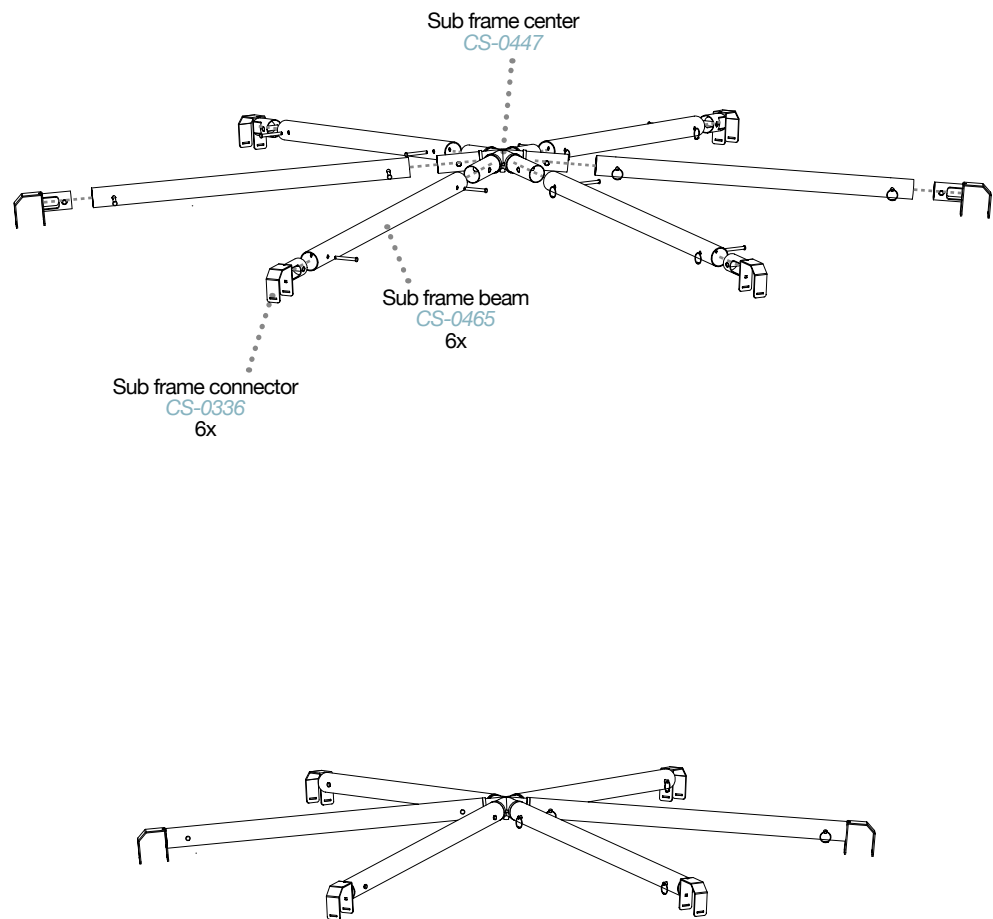
Pre-assemble the upper sub profiles (6x)



STEP 3

Pre-assemble the sub frame

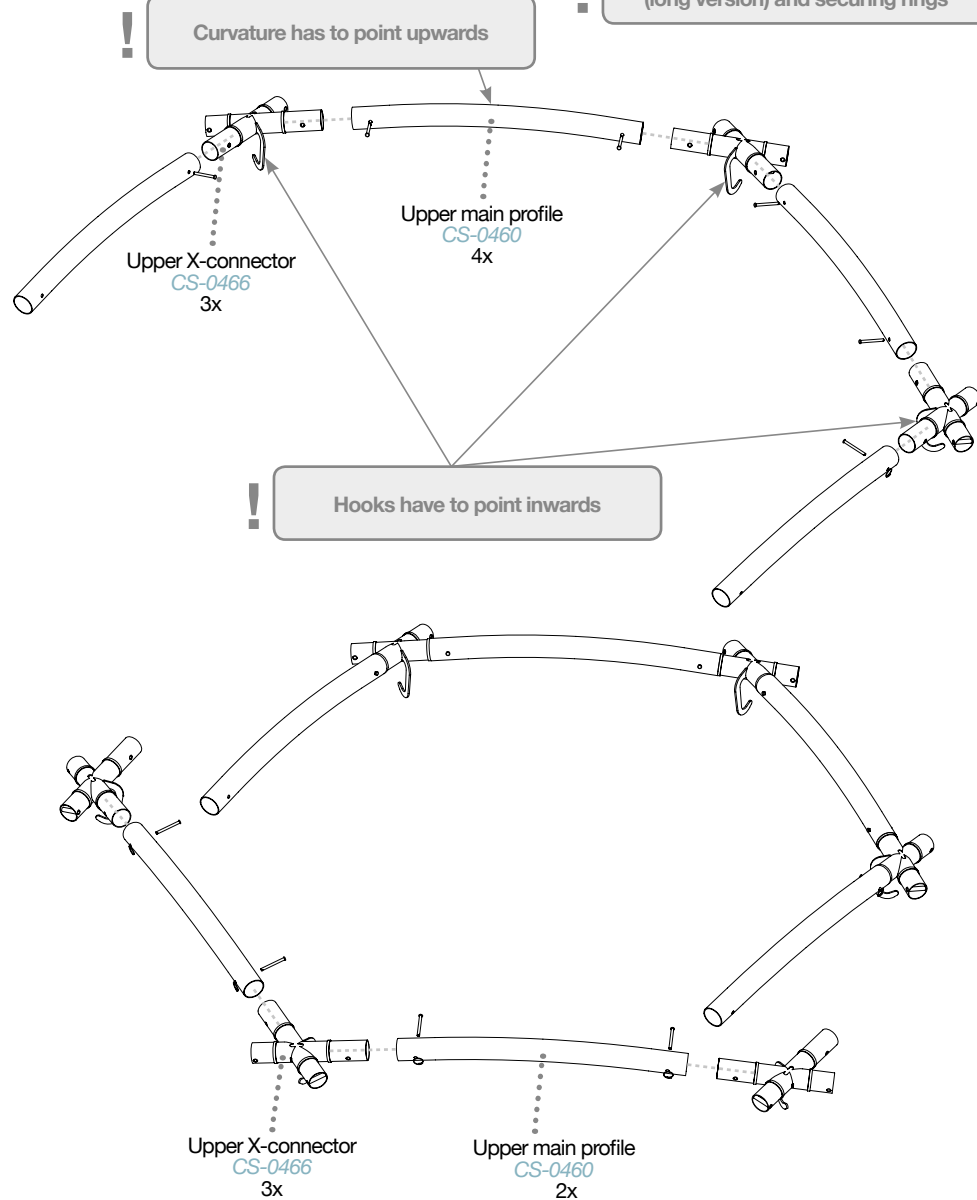
! Secure all parts with locking pins (short version) and securing rings



STEP 4

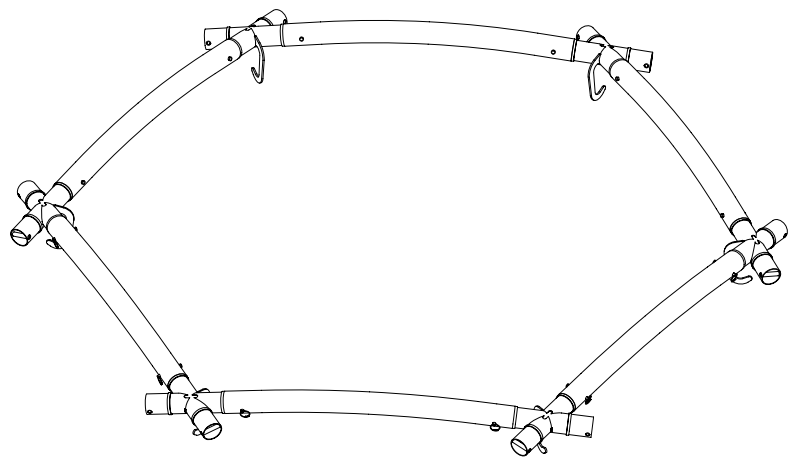
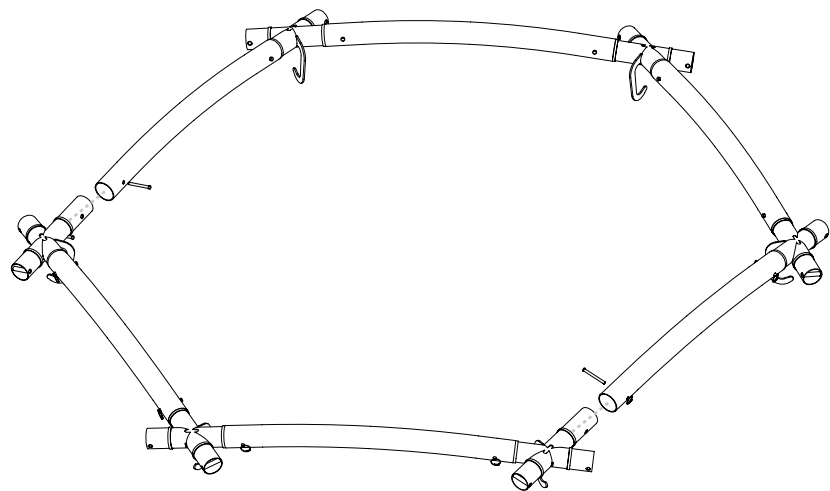
Assemble the frame body

! Secure all parts with locking pins (long version) and securing rings



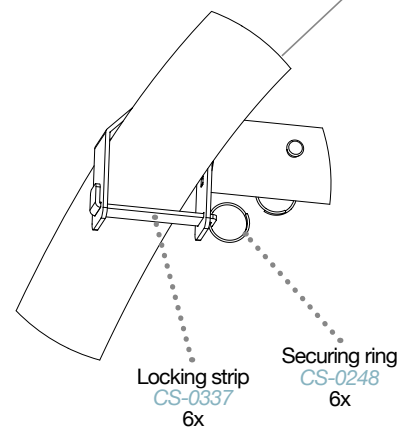
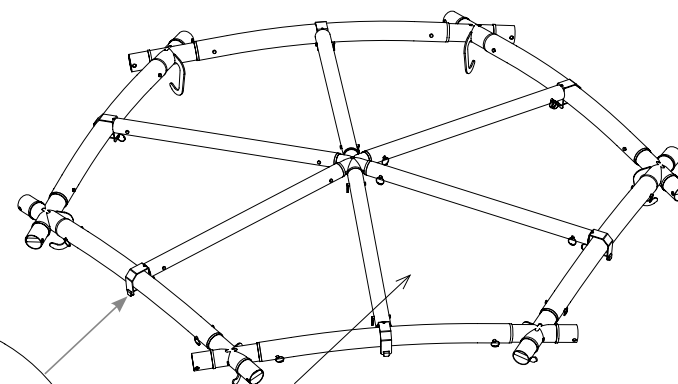
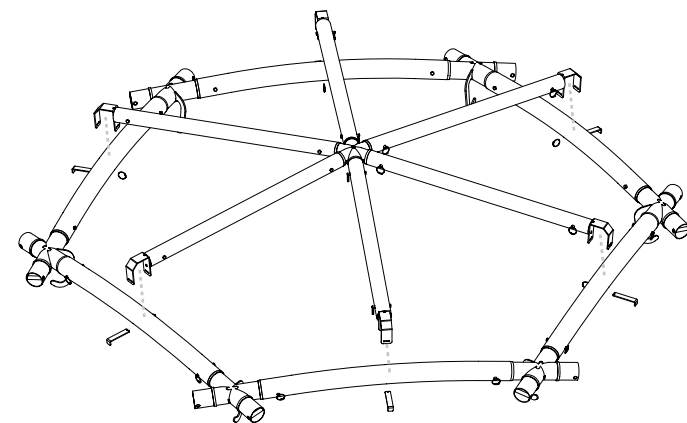


Secure all parts with locking pins (long version) and securing rings



STEP 5

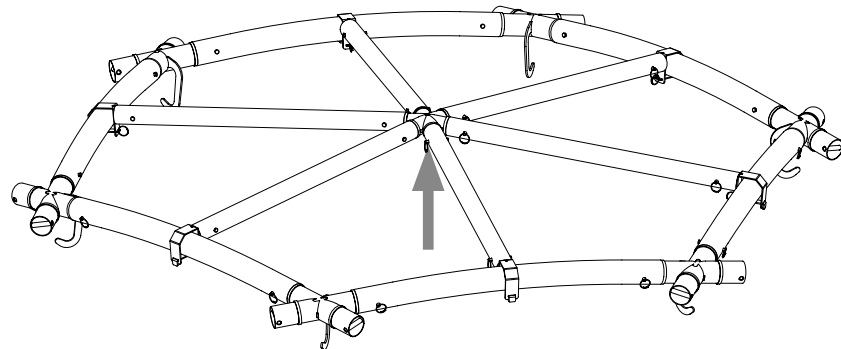
Mount the sub frame at the frame body



LIFTING

While building, the structure has to be lifted multiple times so that the assembly can easily be done on floor level. The structure is designed for two lifting methods:

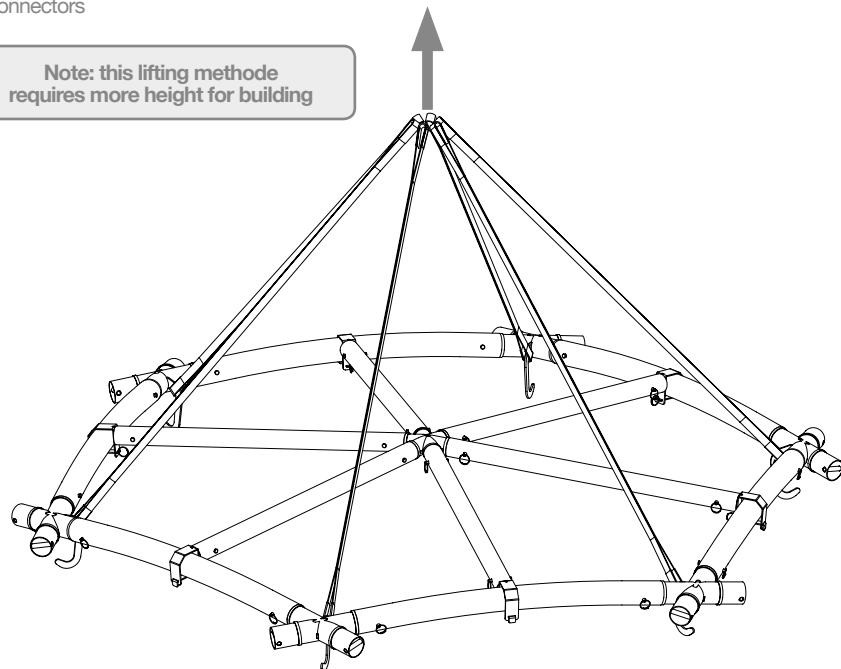
1. Lifting from below (for example with a traverse lift) by using the subframe. Requirements lifting device:
 - minimum lifting height: 6,5 meter
 - minimum safe working load: 500kg (without suspended loads)



2. Lifted from the top (for example with a crane) by using lifting slings (2 meter, 1000 KG) and the hook of the X-connectors

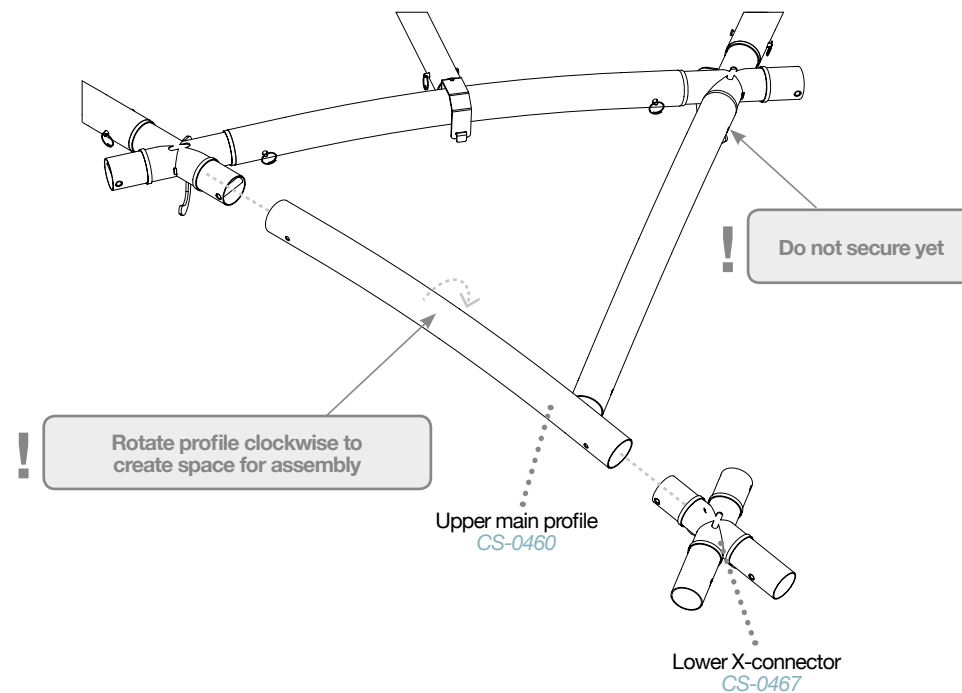
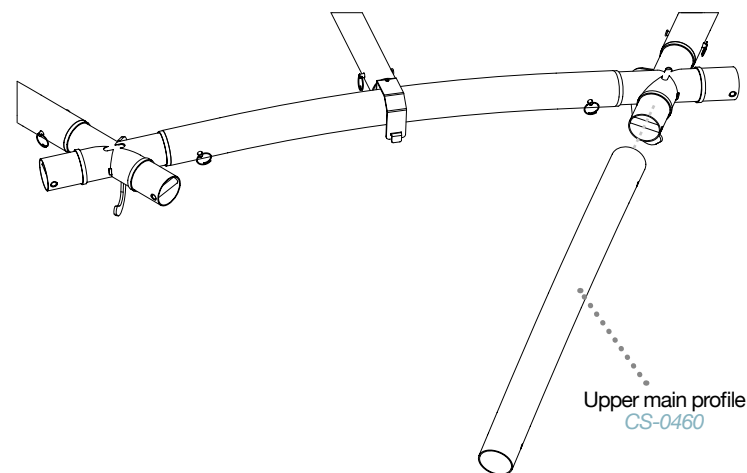


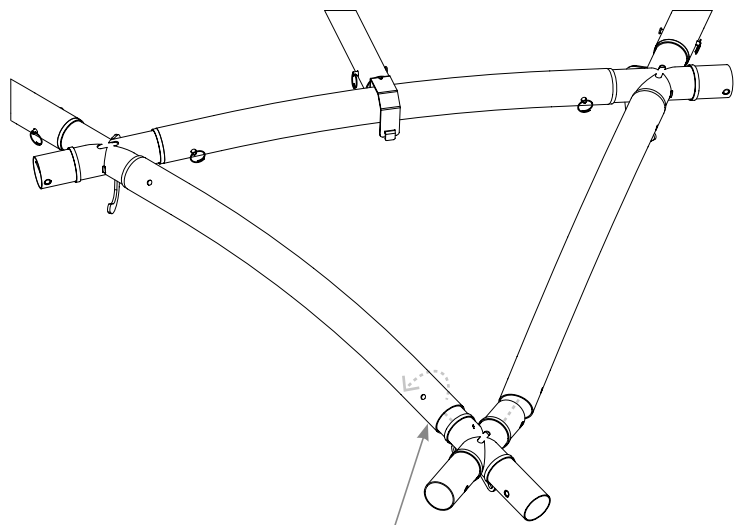
Note: this lifting method requires more height for building



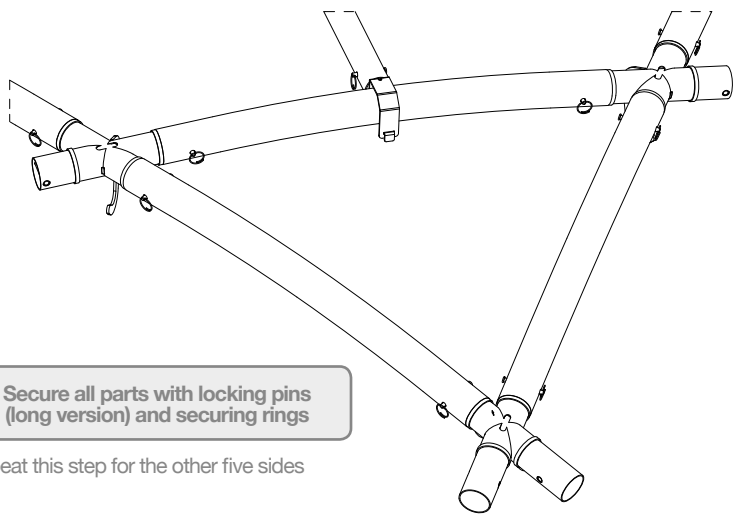
STEP 6

Assemble the remaining upper main profiles and Lower X-connectors





! Rotate profile counter clockwise and push the X-connector slowly in the profiles

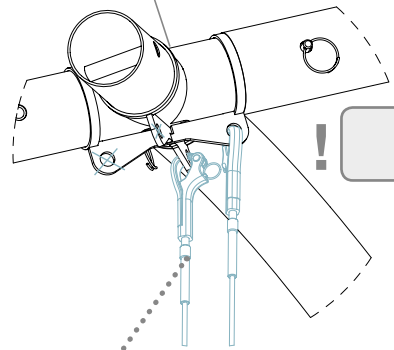
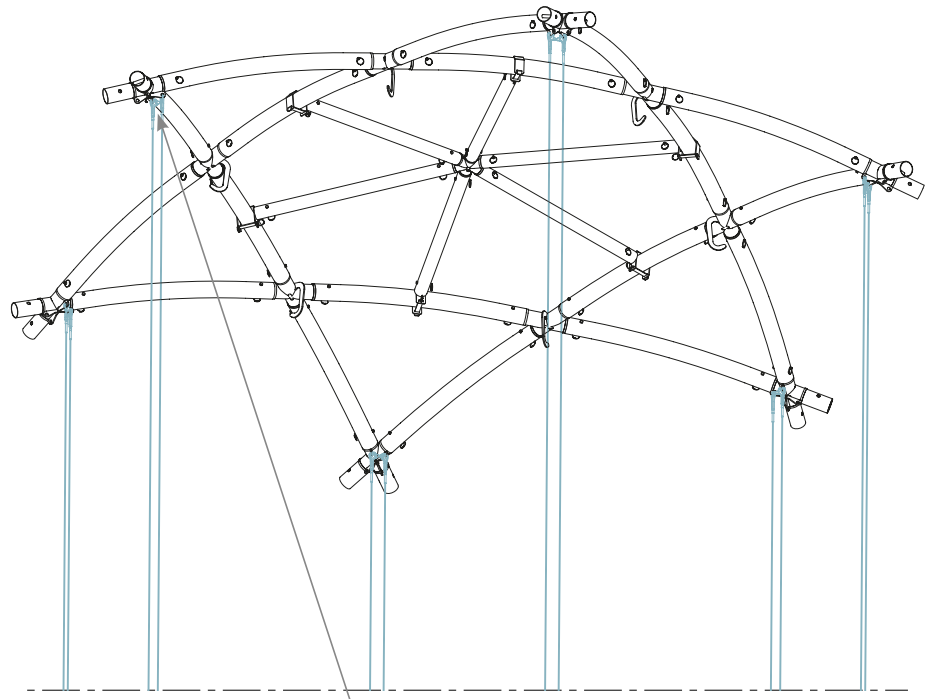


! Secure all parts with locking pins (long version) and securing rings

Repeat this step for the other five sides

STEP 7

Mount the first end of the upper cables

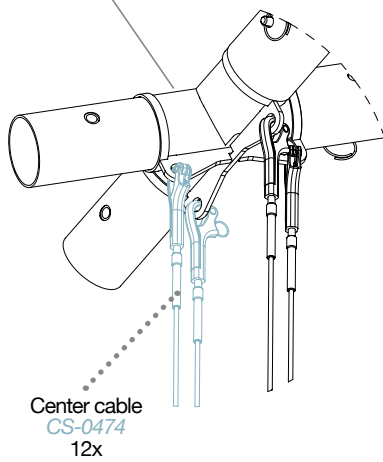
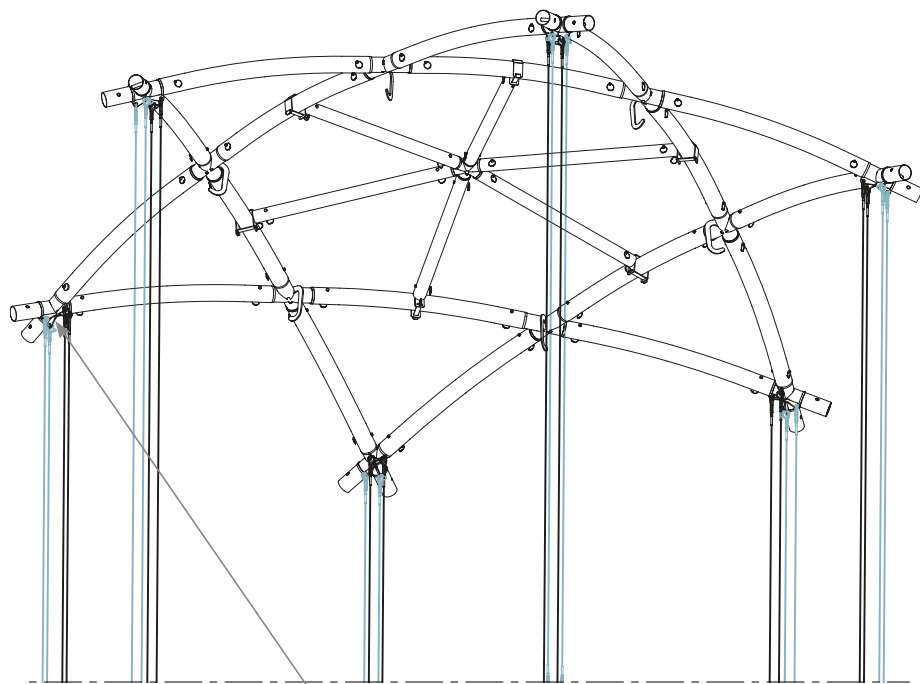


! Use the two inner eyes of the X-connector

Upper cable
CS-0473
12x

STEP 8

Mount the first end of the 12 center cables

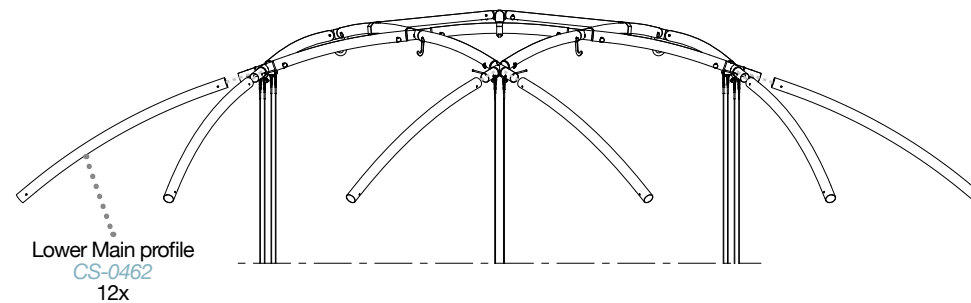


Center cable
CS-0474
12x

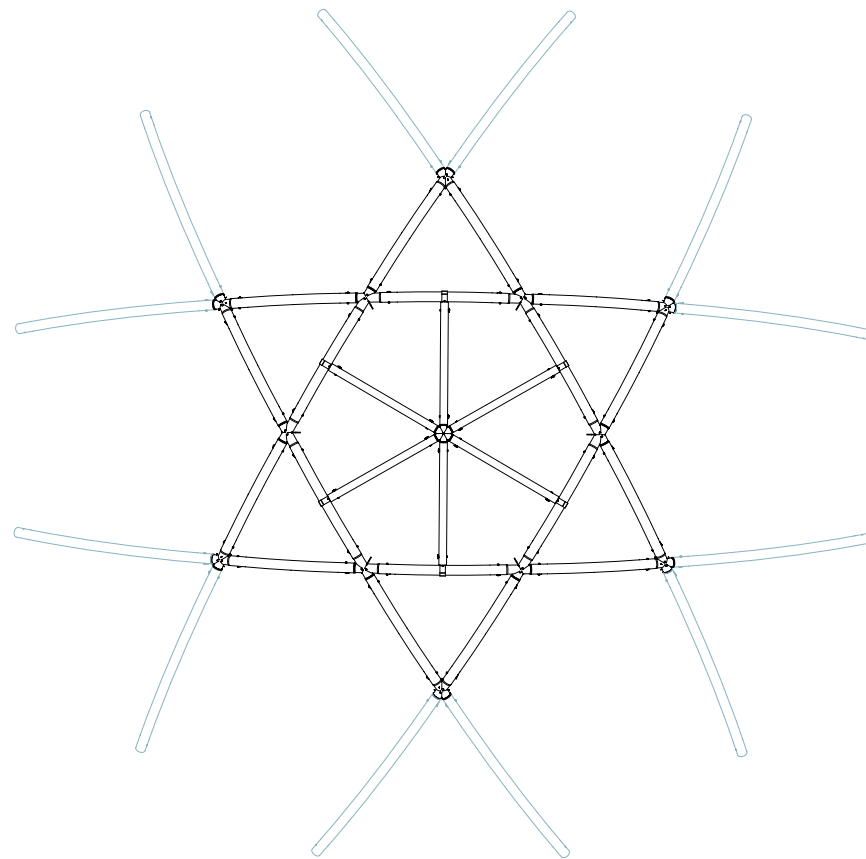
STEP 9

Mount the first end of the center cables

! Secure all parts with locking pins (long version) and securing rings



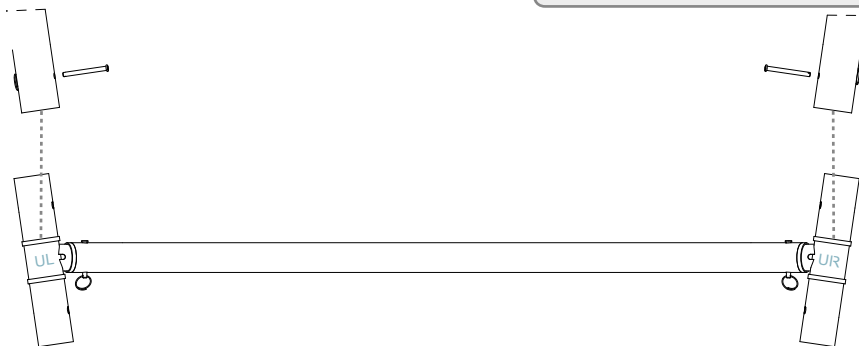
Lower Main profile
CS-0462
12x



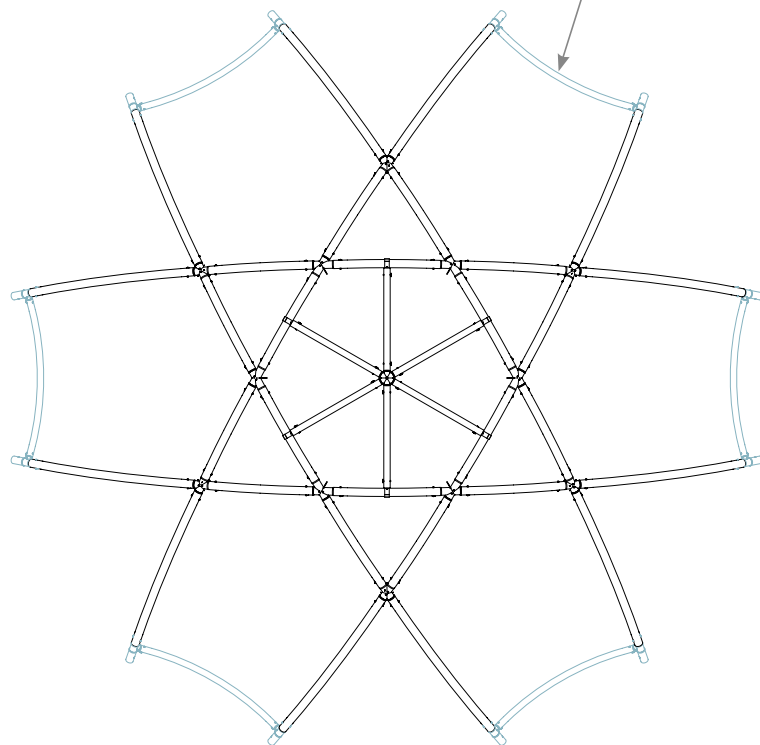
STEP 10

Mount the upper sub profiles (6x)

! Secure all parts with locking pins (long version) and securing rings

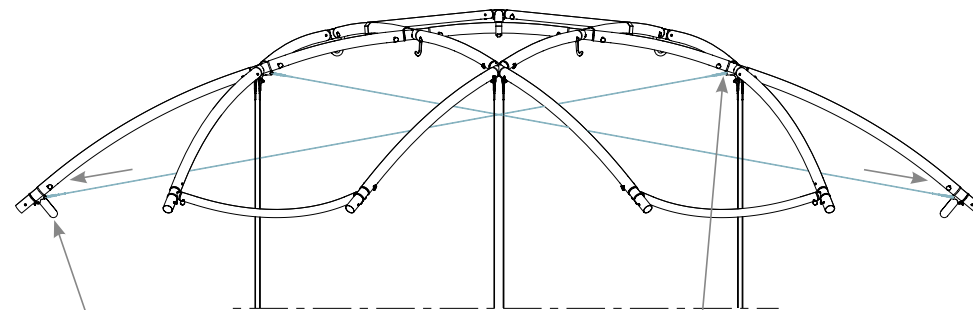


! Curvature sub profiles has to point inwards

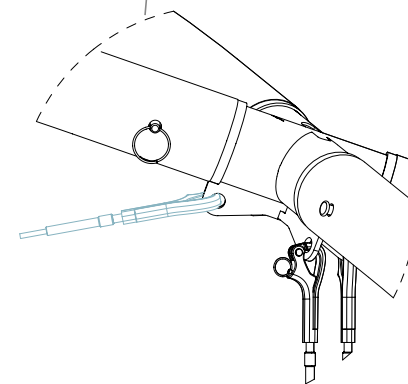
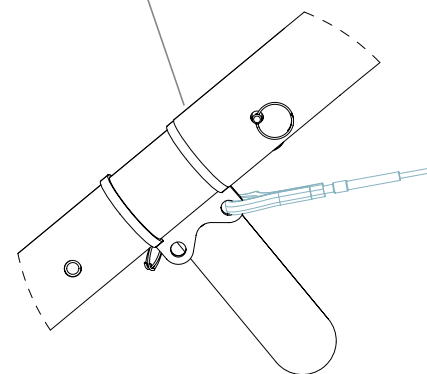


STEP 11

Mount the second end of the 12 upper cables

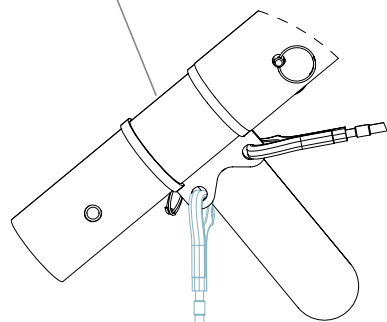
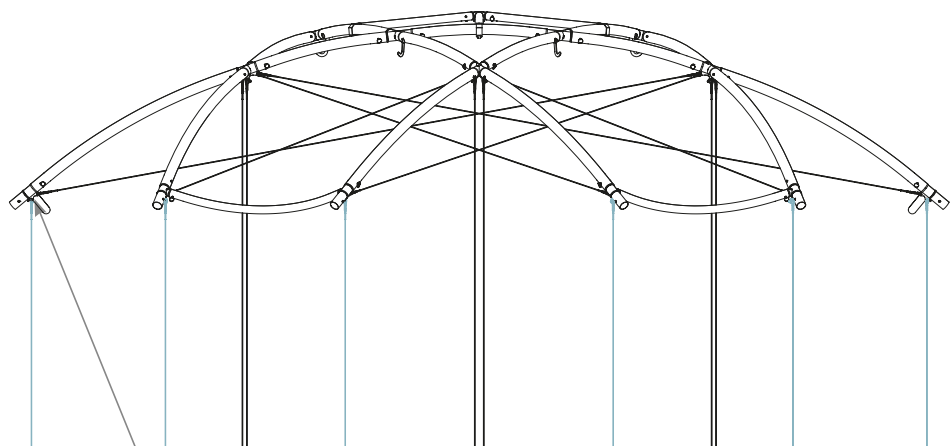


! When crossing other cables, place the cable above the first crossing cable and below the next crossing cable(s)



STEP 12

Mount the first end of the 12 tensioning cables

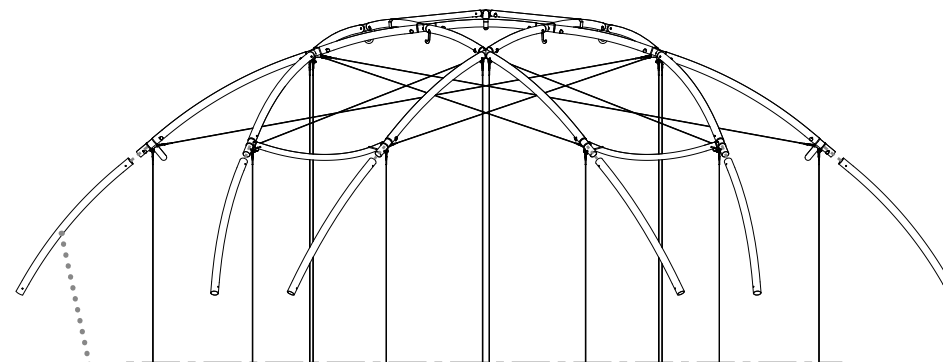


Tension cable
CS-0475
12x

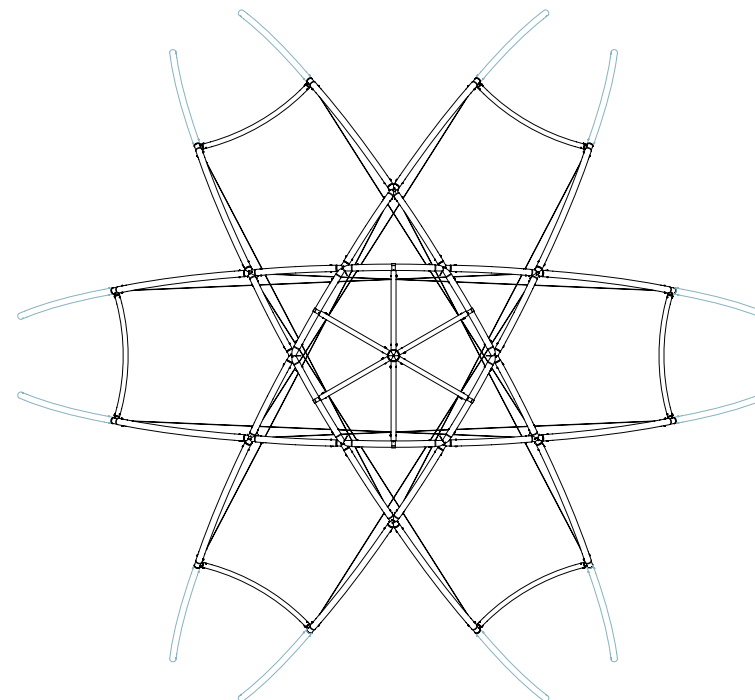
STEP 13

Mount the second level of main profiles

! Secure all parts with locking pins (long version) and securing rings



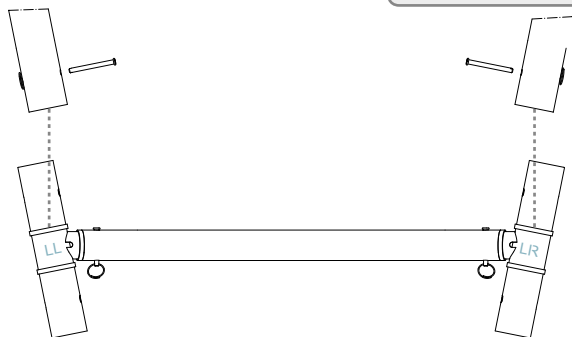
Lower Main profile
CS-0462
12x



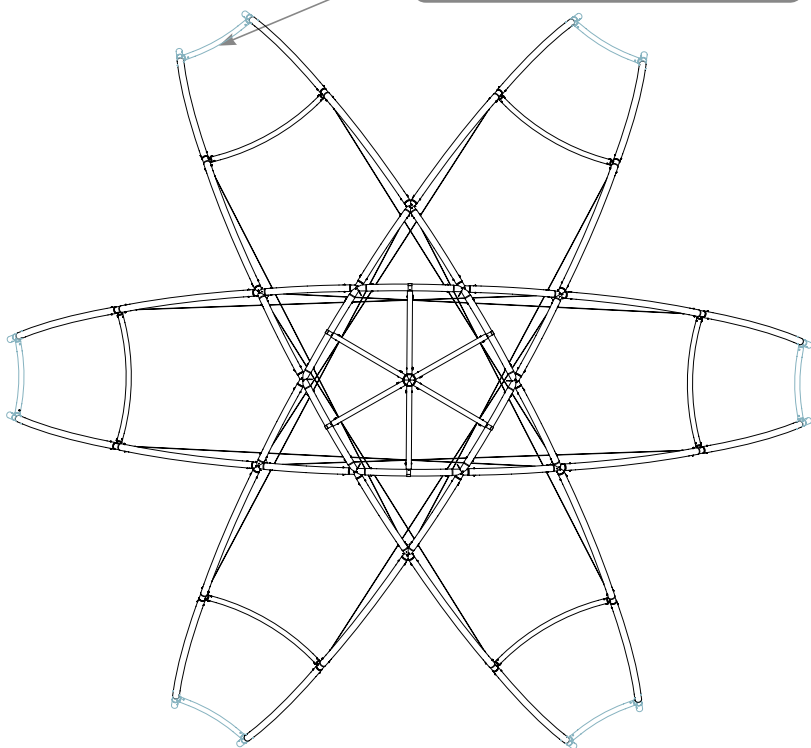
STEP 14

Mount the lower sub profiles (6x)

! Secure all parts with locking pins (long version) and securing rings

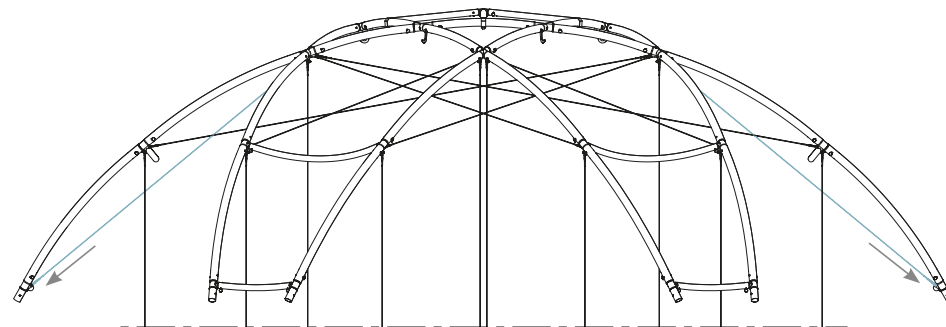


! Curvature sub profiles has to point inwards



STEP 15

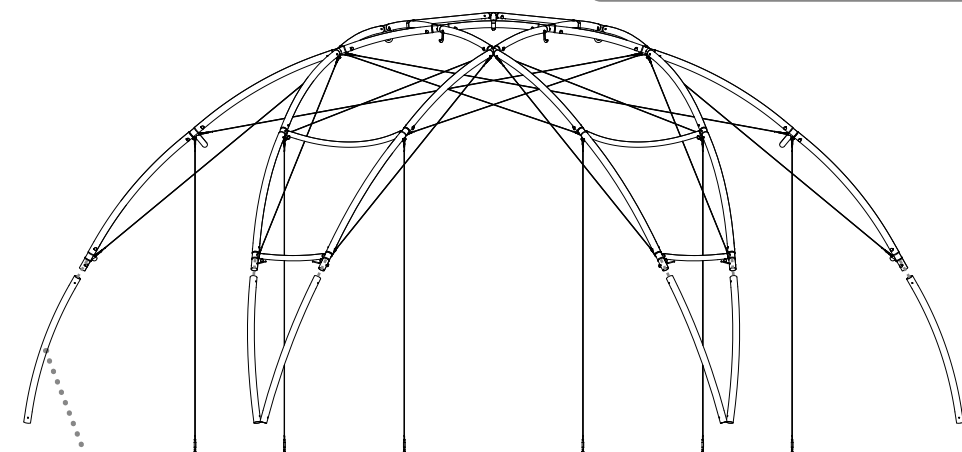
Mount the second end of the center cables



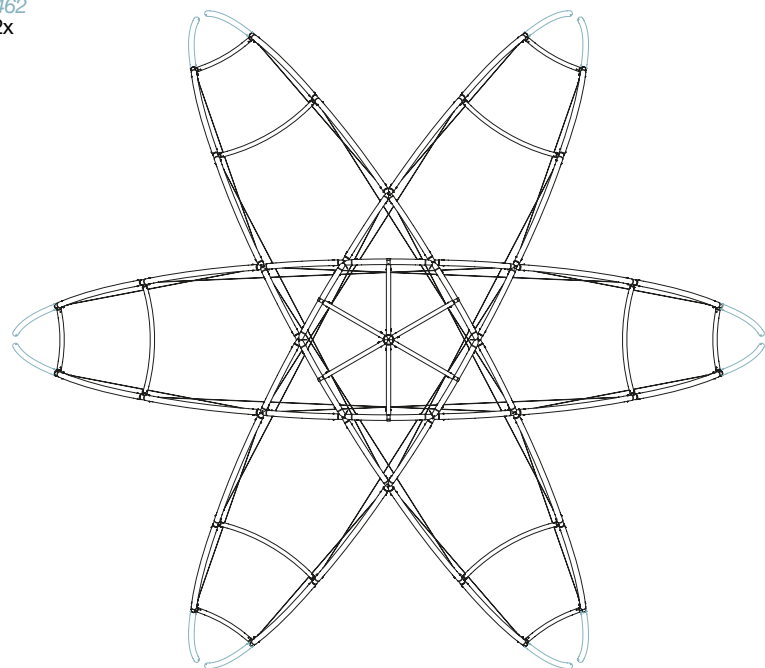
STEP 16

Mount last level of main profiles

! Secure all parts with locking pins (long version) and securing rings



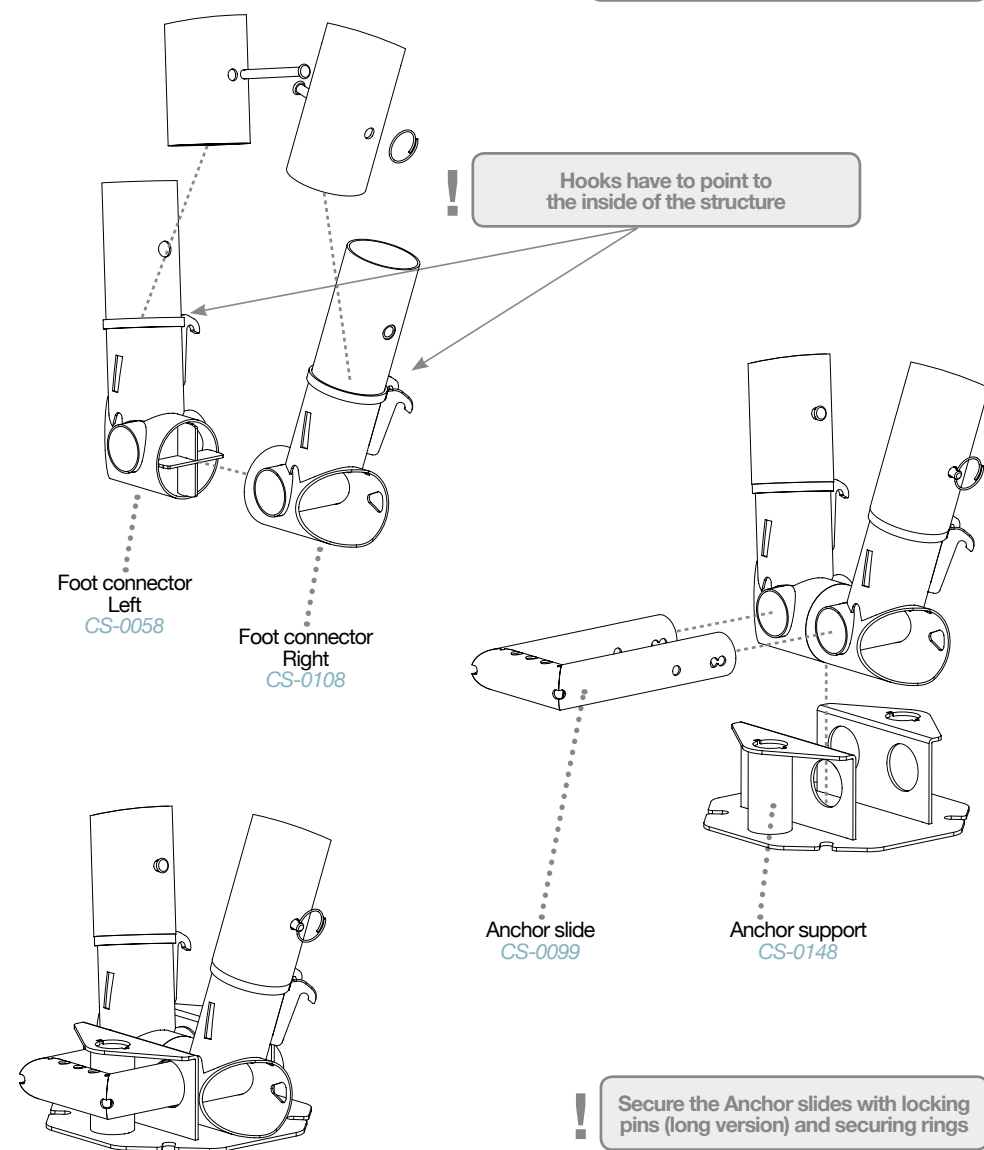
Lower Main profile
CS-0462
v 12x



STEP 17

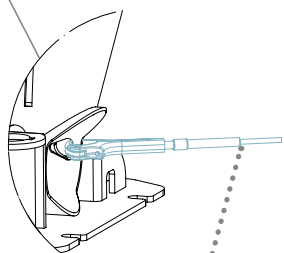
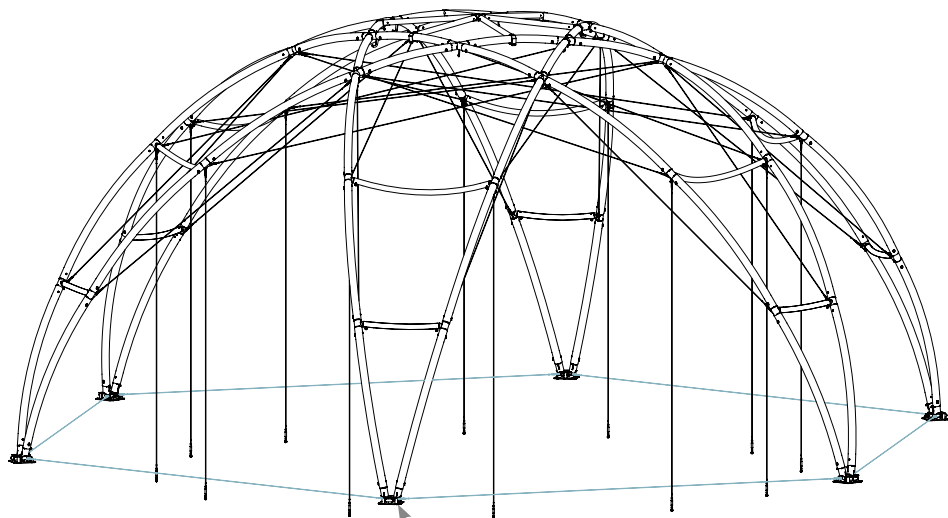
Mount the feet (6x)

! Secure the Foot connectors with locking pins (long version) and securing rings



STEP 18

Mount the positioning cables



Positioning cable
CS-0246
6x

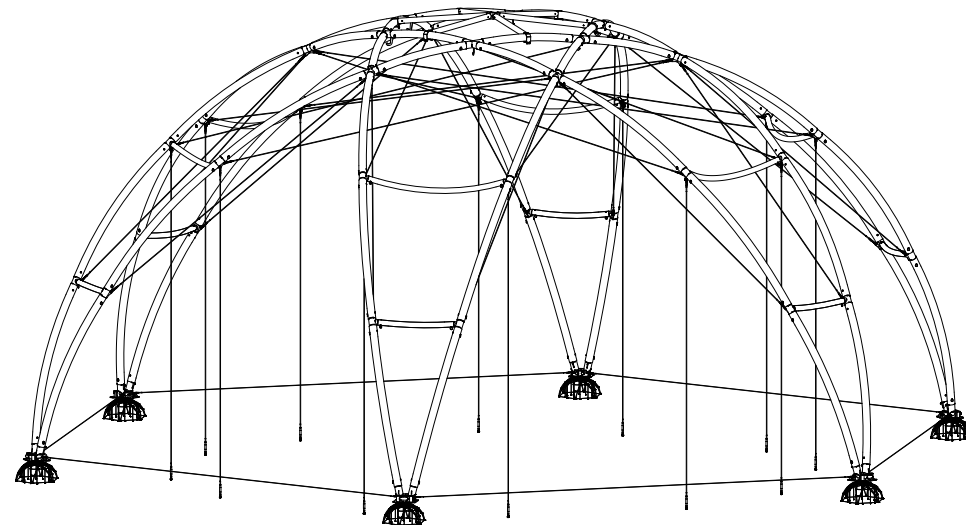
! The positioning cables are used to secure an accurate distance between the feet.
! After mounting the positioning cables the structure can be placed on its feet
! Pull the legs of the structure outwards to put the positioning cables under tension

STEP 19

Anchor the structure



For the different anchoring options and instructions see the anchoring guide

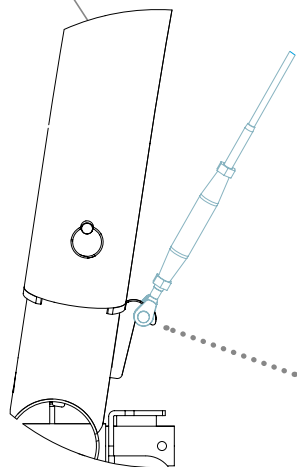
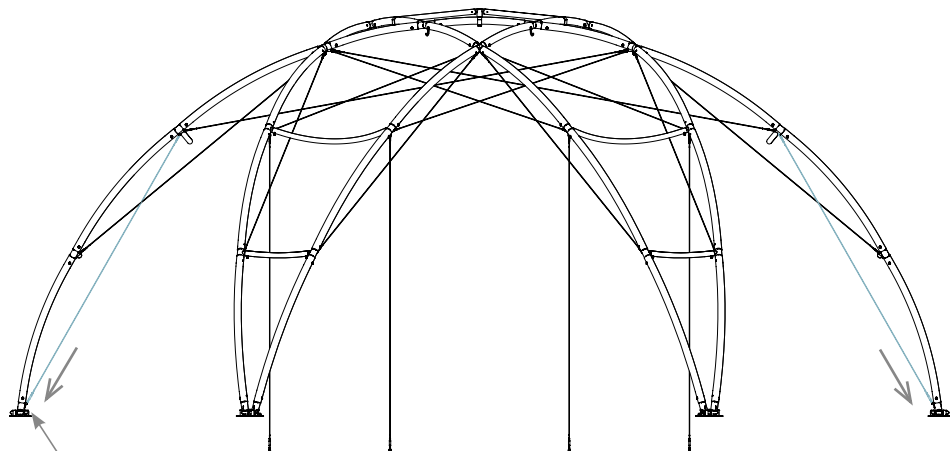


Remove the positioning cables after anchoring

STEP 20

Mount and tension the 12 tension cables

By tensioning the tension cables all the cables in the structure get tensioned and the structure gets its rigidity



Use the inner hooks

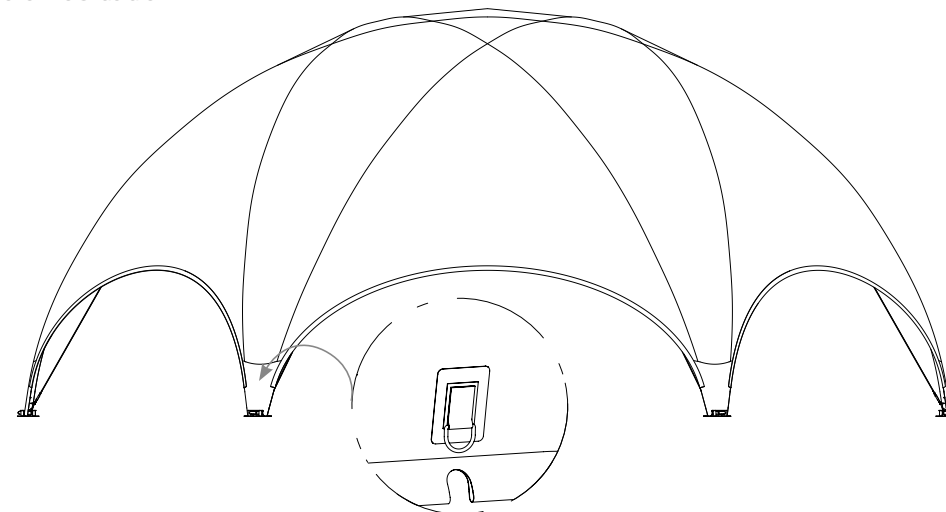
STEP 21

Place the cover over the structure

The included rope can be used to pull the cover over the structure

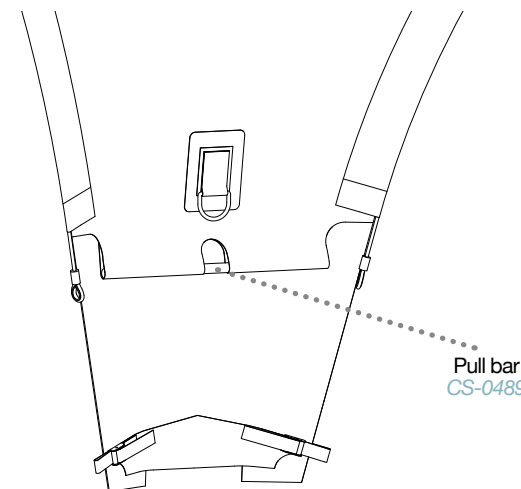


Do not place the cover in windy conditions or take decent security measures



STEP 22

Place the pull bars in the loops of the cover corners

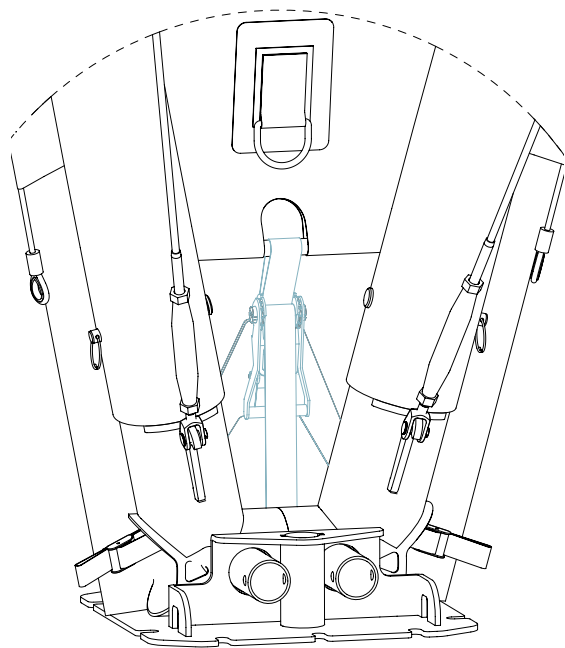
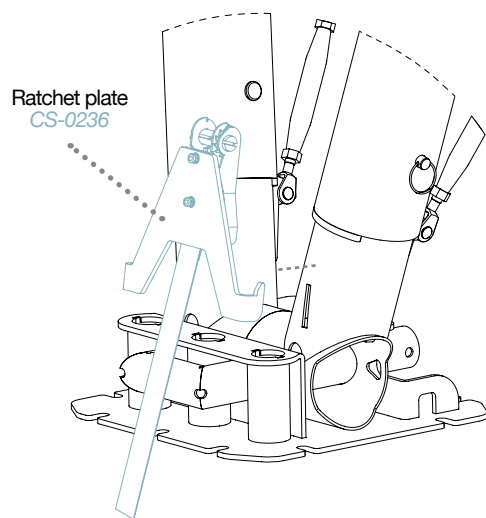


Pull bar
CS-0489

STEP 23

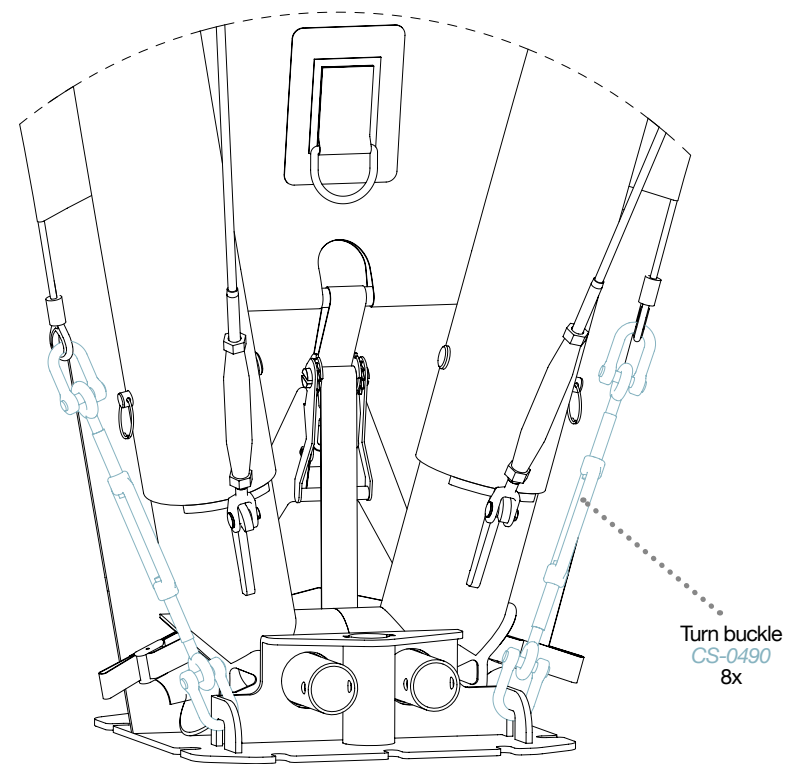
Tension the cover at the corners

Use the seams of the cover to align the cover with the structure



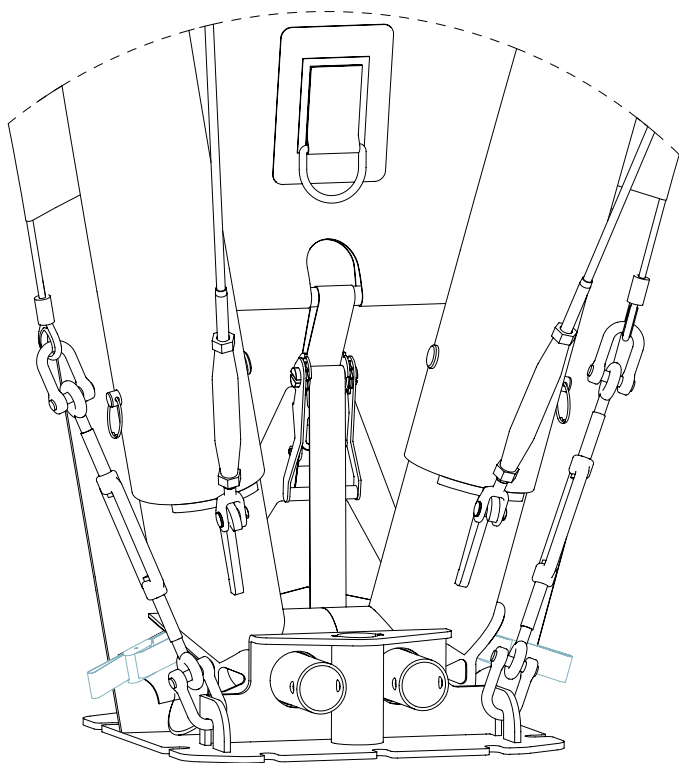
STEP 24

Tension the contours of the cover with the turn buckles



STEP 25

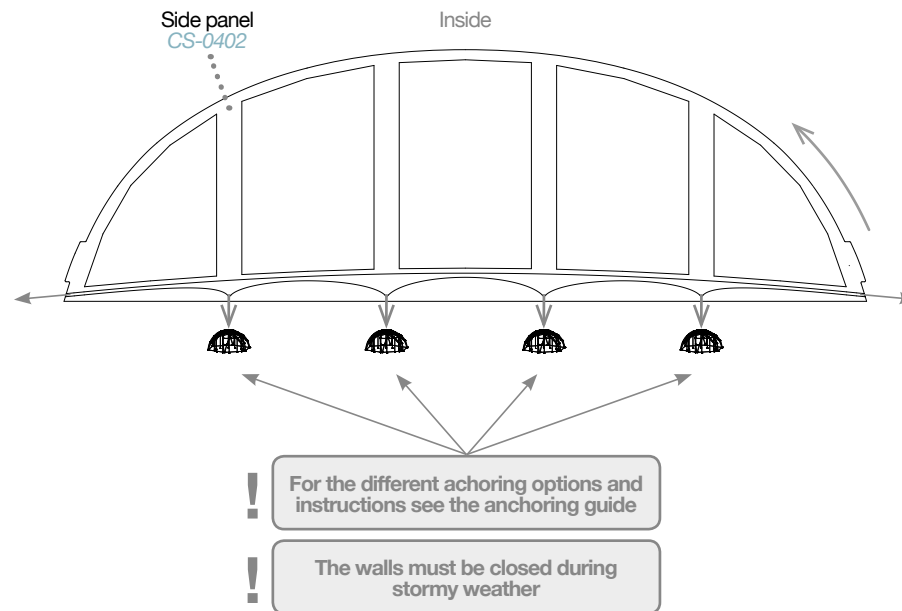
If necessary use the lashings to shape the corners



STEP 26

Mount the side panels (if desired)

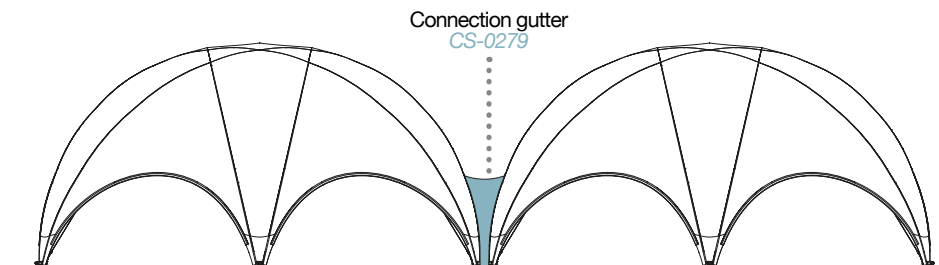
1. Hang the side panel under the cover openings using the 5 hooks on the upper contour
2. Close the zipper from right to left, seen from the inside of the structure. The 5 hooks now can be demounted
3. Tension the side panel with the lashings at the bottom. Tension the outer lashings to the structure feet and the inner lashings to the ground



STEP 27

Mount the connection gutter (if desired)

Close the zippers from right to left, seen from the inside of the structure



Installation movie

Hexadome M

https://youtu.be/6W-A_66AE98



CS BI HDM V3.1

Gewenten 43a
4704 RE Roosendaal
The Netherlands
T +31 (0)165 51 07 77



Creative | Structures

info@creative-products.nl
www.creative-products.nl